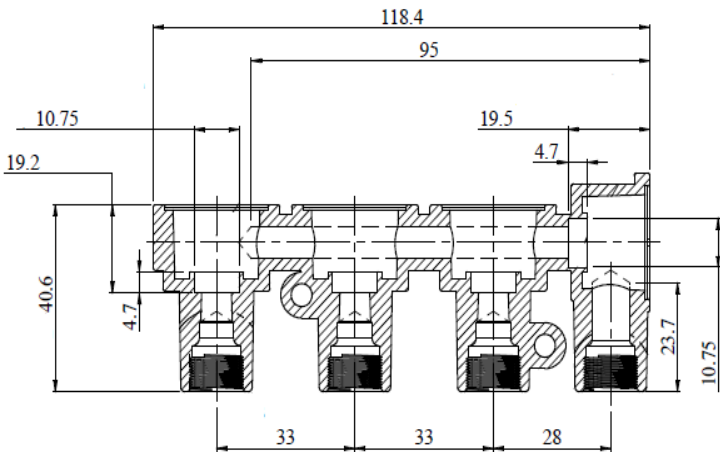


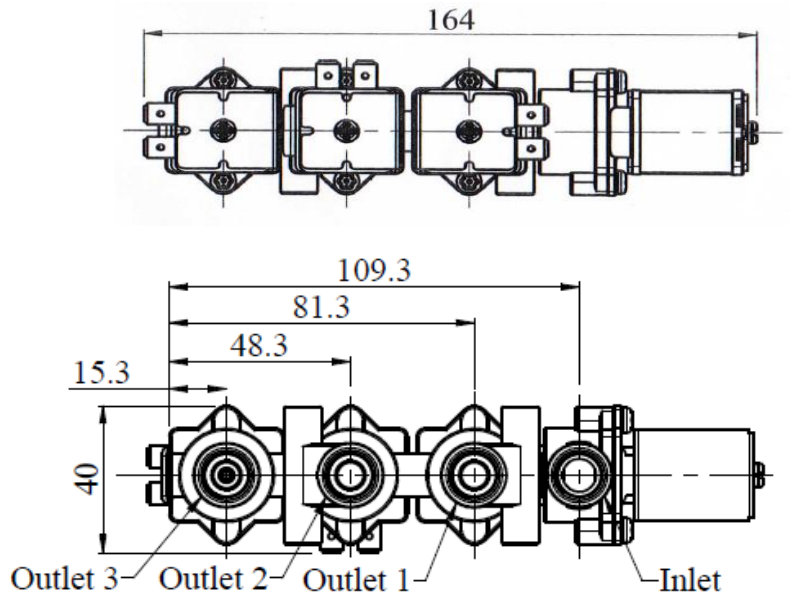
GM 924 Class II Solenoid valve with 1-inlet and 3-parallel outlet automatic shutoff valves capable of running 3 separate burners. This valve offers versatility in operation requirements and allowable pressure limit of up to 7 kPa and with a maximum inlet flow capacity of up to 40 MJ/h. They also come in 1-inlet and 2-parallel outlet automatic shutoff valves capable of running 2 separate burners and 1-inlet and 1-outlet automatic shutoff valves capable of running 1 burner.

INSTALLATION DETAILS

AS Gas Approval	: GMK 10373
Model	: GM 924
Max Inlet Pressure	: 7 kPa
Temperature Limitation	: -10 to +80° C
Max Flow (air):	
1-Outlet model	0.86 M ³ /h at 250 pa pressure drop
2-Outlet model	0.91 M ³ /h at 250 pa pressure drop
3-Outlet model	0.97 M ³ /h at 250 pa pressure drop
Voltage	: 24 V DC
Connection	: 1/4" BSP (Inlet/Outlet)
Class	: II
Gas Type	: Town Gas, Natural Gas & LPG
Mounting Position	: Any position except Coil facing downwards
Serviceability	: Non-serviceable



All dimensions in mm



TECHRITE CONTROLS AUSTRALIA PTY. LTD

Victoria - Head Office 12 Yiannis Court Springvale, VIC 3171 Phone: +61 3 9549 4444 Fax: +61 3 9546 6069	New South Wales Office Unit 10/19 Boden Road Seven Hills NSW 2147 Phone: +61 2 9624 4486 Fax: +61 2 9624 6449	Queensland Office Unit 20, 28 Burnside Road Ormeau QLD 4208 Phone: +61 7 3807 9094 Fax: +61 7 3807 9095
---	--	--

Email: techrite@techrite.com.au

www.techrite.com.au