



## Series 2601

Zetco AGA Approved  
Ductile Iron  
Flanged Ball Valve

### FEATURES

MANUFACTURED IN ITALY

DUCTILE IRON BODY AND FLANGE

FULL BORE

AUSTRALIAN GAS ASSOCIATION APPROVAL #6633

DOUBLE O-RINGS IN THE STEM GUARANTEE A DYNAMIC SEAL

BLOW-OUT PROOF STEM

CARBON-REINFORCED PTFE BALL SEALS GUARANTEE CONSISTENT TORQUE

FOR BURIED INSTALLATIONS, VALVE MUST BE COMPLETELY WRAPPED IN DENSO® TAPE

FLANGES ARE DRILLED TO CLIENT SPECIFICATIONS

MUST BE OPERATED IN FULLY OPEN OR CLOSED POSITION

ALL VALVES PRESSURE TESTED DURING PRODUCTION

SIZE RANGE: 20MM TO 150MM

### PRESSURE AND TEMPERATURE RATINGS

TEMPERATURE RANGE: -10°C TO 70°C

MAXIMUM OPERATING PRESSURE AT NOMINAL TEMPERATURES: 1600 kPa

BIM-MED<sup>AUS</sup>



AGA 6633 G  
AS 4617

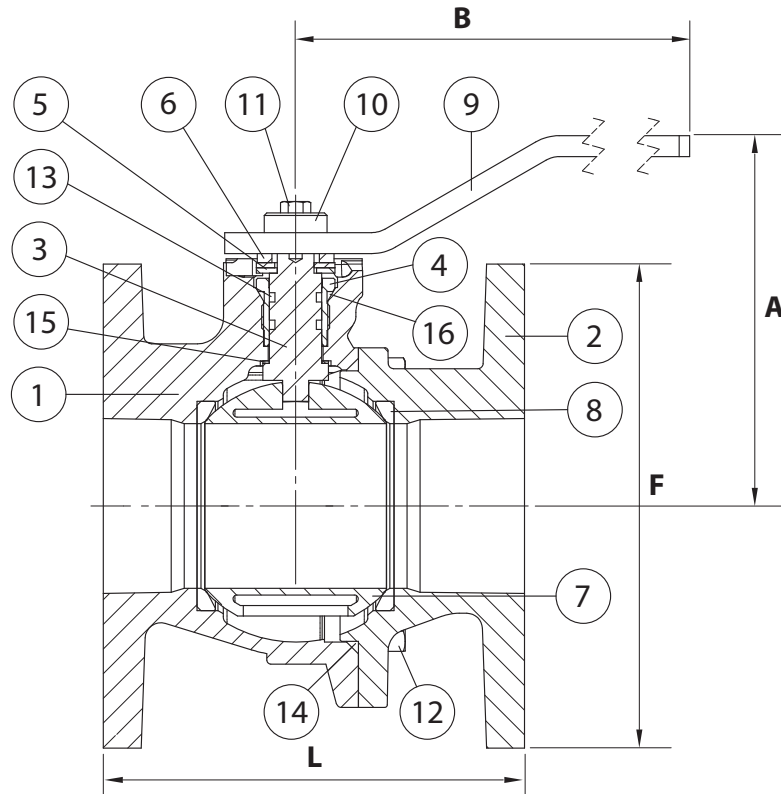
V.01

# Series 2601

Zetco AGA Approved Ductile Iron  
Flanged Ball Valve



## DIMENSIONAL AND COMPONENT DIAGRAM



### MATERIALS

POS.	PART NAME	MATERIALS
1	BODY	DUCTILE IRON
2	FLANGE	DUCTILE IRON
3	STEM	BRASS
4	GLAND NUT	BRASS
5	STOPPER PLATE	STAINLESS STEEL 304
6	WASHER	STAINLESS STEEL 304
7	BALL	BRASS (CHROME PLATED)
8	SEAL	PTFE + CARBON
9	HANDLE	POWDER COATED STEEL
10	SPACER RING	BRASS
11	HANDLE SCREW	STAINLESS STEEL 304
12	NUT & BOLT	STAINLESS STEEL 304
13	STEM O-RING	NBR
14	BODY O-RING	NBR
15	THRUST WASHER	PTFE
16	GLAND NUT O-RING	NBR

### DIMENSIONS - mm

Prod. Code	Size	A	B	L	F	Kv	Wgt kg
2601020	20	84	160	114	105	48	3.30
2601025	25	96	170	117	115	83	4.20
2601032	32	101	170	122	140	150	5.70
2601040	40	125	230	132	150	255	7.50
2601050	50	135	230	140	165	435	9.00
2601065	65	143	230	161	185	672	11.00
2601080	80	165	280	171	200	947	15.00
2601100	100	180	360	181	220	1508	18.00
2601125	125	225	450	191	250	2633	29.00
2601150	150	243	560	200	285	4261	39.50