



BP-1003
March 27, 2023



FIREYE® BurnerPRO™

**MICROPROCESSOR-BASED
INTEGRATED BURNER
MANAGEMENT CONTROL**
with UV & FR Flame Amplifiers, Valve
Proving Feature and Modbus Interface



DESCRIPTION

The Fireeye BurnerPRO is a compact, microprocessor based, primary flame safeguard control system designed to provide the proper burner sequencing, ignition and flame monitoring for on-off, multistage, or modulating burners used in commercial heating and process equipment firing oil and gas fuels. The BurnerPRO flame safeguard offers two built-in amplifiers, which allows for use in UV only, FR only, and UV+FR applications. Flame monitoring for UV is accomplished by using available UV scanners: UV90L, UV1AL & UV5. Flame monitoring for FR version is accomplished by using available ionization rod: 69ND1. The FR amplifier circuitry is subjected to permanent self-checking, which allows it for use in applications that require burner cycle that runs for more than 24 hours. When operated as a UV control, the system is considered non-permanent, which requires a burner recycle at least once every 24 hours.

The valve proving feature checks for leakage through the safety shutoff valves prior to burner startup or immediately after a burner shutdown. The Modbus interface provides the ability to write custom timing parameters, as well as to read different dynamic parameters while BurnerPRO is running.

Through seven SMART LEDs, the control provides current operating status and lockout information in the event of a safety shutdown. Refer to the BurnerPRO ordering information section in this document for the various combinations of control functions and timings.

A complete BurnerPRO system includes the BP110/230, flame scanner and wiring base. The BurnerPRO performs a safe-start check on every burner cycle. If flame is detected prior to a start or during the purge cycle, the fuel valves are not energized, and the control locks out. The 'POC' input is also monitored to verify that the main fuel valves are always in the proper state prior to the start of a burner cycle. The LEDs & alarm terminal are used to annunciate the presence of a lockout condition.

Expanded functions of the BurnerPRO:

- Non-volatile lockout capability
- Air-flow proving, Gas valve proving, & Modbus access
- A run/check feature allows the operator to stop the program sequence in different positions (Purge, Ignition, PTFI, MTFI, AUTO) for system troubleshooting
- Modbus, Remote and local Reset ability
- Two built-in amplifiers (UV, FR, UV+FR) for flexibility in applications
- Smart LEDs provide on board diagnostic lockout information
- Extended temperature operation (-40°C to 60°C)
- High capacity relay contacts



TABLE OF CONTENTS

BURNERPRO SPECIFICATIONS	3
PART NUMBERS AND APPROVALS	5
ORDERING INFORMATION	6
INSTALLATION	8
WIRINGBASE	8
TERMINAL WIRING	10
PROCEDURE	11
LED INDICATORS	12
LED RUN-TIME STATUS INDICATOR	13
FLAMESCANNERS	14
INSTALLATION - UV SCANNERS	15
WIRING - UV SCANNERS	15
INSTALLATION - 69ND1 FLAME ROD	16
WIRING - FLAME ROD	17
MAINTENANCE - FLAME ROD	17
SYSTEM OPERATION	18
OPERATIONAL SEQUENCE DIAGRAM	19
EXPLANATION OF SEQUENCE STATES	20
SEQUENCETIMING	22
DESCRIPTION OF FUNCTIONS OF OPERATING CONTROLS	24
CONNECTION TO AN EXTERNAL ACTUATOR	25
EXAMPLE WIRING 1	26
EXAMPLE WIRING 2	27
EXAMPLE WIRING 3	28
COMMUNICATIONS	29
MODBUS CONNECTION DIAGRAM	30
MODBUS MESSAGE TABLE / MAP	32
VALVEPROVING	35
PRESSURE SWITCH SELECTION	36
PROVING STEPS	37
CALCULATING VALVE PROVING TEST TIMES	38
LOCKOUTS	40
LOCKOUT LED ERROR / LOCKOUT	41
LOCKOUT CODE EXPLANATION	43



WARNING: The equipment described in this manual is capable of causing property damage, severe injury, or death. It is the responsibility of the owner or user to ensure that the equipment described is installed, operated and commissioned in compliance with the requirements of all national and local codes.



WARNING!



Boiler operation, maintenance, and troubleshooting shall only be conducted by trained personnel. Persons troubleshooting lockouts or resetting the control must respond properly to troubleshooting error codes as described in this product bulletin.

Jumpers being used to perform static test on the system must only be used in a controlled manner and must be removed prior to the operation of the control. Such tests may verify the external controllers, limits, interlocks, actuators, valves, transformers, motors and other devices are operating properly. Such tests must be conducted with manual fuel valves in the closed position only. Replace all limits and interlocks not operating properly, and do not bypass limits in interlocks. Failure to follow these guidelines may result in an unsafe condition hazardous to life and property.



BURNERPRO SYSTEM SPECIFICATION

Supply Voltage:

BP110 110 VAC (+20%, -15%) 50/60 Hz, single phase, Frequency tolerance +/-5%

BP230 230 VAC (+10%, -15%) 50/60 Hz, single phase, Frequency tolerance +/-5%

Fuse Ratings:

External Fuse Maximum: 10A (Slow-Blow), 1 No.

Internal Fuse Maximum: 6.3Amp (Slow Blow), 2 Nos

Power Consumption:

7 VA

Temperature Rating:

Operating: -40°C to +60°C (-40°F to 140°F)

Storage: -50°C to +85°C (-58°F to 185°F)

Flame Amplifier Rating:

UV: Terminals 22 & 23, 300VDC/ 3mA

FR: Terminals 24 & Earth, 330VAC (max), 3uA min/10uA max flame current

Protection Category:

IP40 standard version

Control Dimensions:

With wiring base (60-2981-1); 4.15" L x 4.15" W x 5.0" H (105mm x 105mm x 127mm)

Shipping Weight:

Approx. 2.5 lbs. (1.13kg)

OPERATING TEMPERATURE LIMITS

CONTROL	MAXIMUM		MINIMUM	
	°F	°C	°F	°C
BP110, BP230	140°F	60°C	-40°F	-40°C
UV90L-1	194°F	90°C	-40°F	-40°C
UV1AL-3, -6	200°F	94°C	-40°F	-40°C
UV5-1	140°F	60°C	-4°F	-20°C

Relative Humidity:

90% R.H. (Non-Condensing) "Condensation, formation of ice and ingress" of water not permitted

LOAD RATINGS:

Terminal	Typical Load	Maximum Rating @120V-50/60 Hz	Maximum Rating @230V-50/60 Hz	Alternate Rating
6-7	Burner/Blower Motor	2 F.L.A. * 8 L.R.A.	2 F.L.A. * 8 L.R.A.	240 VA Pilot Duty (Motor Starter Coil)
9-10-11-20	Modulator	240 VA Pilot Duty		
16-17-18-19	Fuel/Ignition	240 VA Pilot Duty		
3	Alarm	125 VA Pilot Duty		
* F.L.A. = full load amps; L.R.A = locked rotor amps				

Maximum connected load must not exceed 2000VA.

ELECTRICAL RATINGS

VA ratings (not specified as pilot duty) permit the connection of transformers and similar devices whose inrush current is approximately the same as their running current.



VA Pilot Duty ratings permit the connection of relays, solenoid valves, lamps, etc. whose total operating load does not exceed the published rating and whose total inrush does not exceed 10 times the rating.

Running and locked rotor ratings are intended for motors. VA and VA Pilot Duty loads may be added to a motor load provided the total load does not exceed the published rating.

OPERATIONAL TIMINGS

The BurnerPRO is pre-programmed from the factory with a set of operational timings necessary for the safe operation of the burner system. However, operational timings can be modified via the mod-bus port. The operational timings are governed by regional and local codes. It is important that the appropriate operational timing is selected for the burner application.

Table 1: Timing Information

Times are in seconds		BURNERPRO SERIES TIMINGS					
TIMING	DESCRIPTION	S1	S2	S3	S4	S5	S6
t1	Purge time	35.5	31	37	60	37	30
t3'	Pre-ignition time (piloted)	4	6	2.5	2.5	2.5	1
TSA'	Ignition safety time (PTFI)	2	3	5	5	5	10
t6	Post-purge time	12	18	15	15	15	15
t9	Interval between Main Fuel Piloted and removal of Pilot (MTFI)	2	3	5	5	5	10
FFRT	Flame Failure Response Time (FFRT)	1.0				4	4

See Table 7 on page 23 for expanded timing information.





NOTICE: This equipment generates and can radiate radio frequency energy, and if not installed and used in accordance with the instruction manual may cause interference to radio communications. It has been tested and found to comply with the limits for a Class B computing device pursuant to Subpart J of part 15 of FCC Rules, which are designed to provide reasonable protection against such interference when operated in a commercial/ industrial environment.



PART NUMBERS AND APPROVALS

Table 2: Agency Approvals

Fireye Part Number		
Control		
BP110UVFR-SxM	X	X
BP110UVFR-SxMP	X	X
BP110UVFR-S1M	X	X
BP110UVFR-S1MP	X	X
BP110UVFR-S2M	X	X
BP110UVFR-S2MP	X	X
BP110UVFR-S3M	X	X
BP110UVFR-S3MP	X	X
BP110UVFR-S4M	X	X
BP110UVFR-S4MP	X	X
BP110UVFR-S5M	X	
BP110UVFR-S5MP	X	
BP110UVFR-S6M	X	
BP110UVFR-S6MP	X	
BP230UVFR-SxM		X
BP230UVFR-SxMP		X
BP230UVFR-S1M		X
BP230UVFR-S1MP		X
BP230UVFR-S2M		X
BP230UVFR-S2MP		X
BP230UVFR-S3M		X
BP230UVFR-S3MP		X
Wiring Base		
60-2981-1	X	X
Scanners		
UV90L-1	X	X
UV1AL-3	X	X
UV1AL-6	X	X
UV5-1	X	X
69ND1-1000K4	X	X
69ND1-1000K6	X	X
69ND1-1000K8	X	X

**X = CERTIFICATION IN HAND
APPROVAL/CERTIFICATION**

UL: MCCZ File MP1537 Controls, Primary Safety - Listed
MCCZ7 File MP1537 Controls, Primary Safety Certified
for Canada

CE: CE-0063CS1687



Table 3: Ordering Information

Item	Part Number	Description
1	BP230UVFR-SxM	BurnerPRO Single Burner Control, 230VAC 50/60Hz, User defined timings, with UV & FR amplifiers, Modbus
2	BP230UVFR-SxMP	BurnerPRO Single Burner Control, 230VAC 50/60Hz, User defined timings, with UV & FR amplifiers, Modbus & VP
3	BP230UVFR-S1M	BurnerPRO Single Burner Control, 230VAC 50/60Hz, Series 1 timings, with UV & FR amplifiers, Modbus
4	BP230UVFR-S1MP	BurnerPRO Single Burner Control, 230VAC 50/60Hz, Series 1 timings, with UV & FR amplifiers, Modbus & VP
5	BP230UVFR-S2M	BurnerPRO Single Burner Control, 230VAC 50/60Hz, Series 2 timings, with UV & FR amplifiers, Modbus
6	BP230UVFR-S2MP	BurnerPRO Single Burner Control, 230VAC 50/60Hz, Series 2 timings, with UV & FR amplifiers, Modbus & VP
7	BP230UVFR-S3M	BurnerPRO Single Burner Control, 230VAC 50/60Hz, Series 3 timings, with UV & FR amplifiers, Modbus
8	BP230UVFR-S3MP	BurnerPRO Single Burner Control, 230VAC 50/60Hz, Series 3 timings, with UV & FR amplifiers, Modbus & VP
9	BP230UVFR-S4M	BurnerPRO Single Burner Control, 230VAC 50/60Hz, Series 4 timings, with UV & FR amplifiers, Modbus
10	BP230UVFR-S4MP	BurnerPRO Single Burner Control, 230VAC 50/60Hz, Series 4 timings, with UV & FR amplifiers, Modbus & VP
11	BP110UVFR-SxM	BurnerPRO Single Burner Control, 230VAC 50/60Hz, User defined timings, with UV & FR amplifiers, Modbus
12	BP110UVFR-SxMP	BurnerPRO Single Burner Control, 230VAC 50/60Hz, User defined timings, with UV & FR amplifiers, Modbus & VP
13	BP110UVFR-S1M	BurnerPRO Single Burner Control, 110VAC 50/60Hz, Series 1 timings, with UV & FR amplifiers, Modbus
14	BP110UVFR-S1MP	BurnerPRO Single Burner Control, 110VAC 50/60Hz, Series 1 timings, with UV & FR amplifiers, Modbus & VP
15	BP110UVFR-S2M	BurnerPRO Single Burner Control, 110VAC 50/60Hz, Series 2 timings, with UV & FR amplifiers, Modbus
16	BP110UVFR-S2MP	BurnerPRO Single Burner Control, 110VAC 50/60Hz, Series 2 timings, with UV & FR amplifiers, Modbus & VP
17	BP110UVFR-S3M	BurnerPRO Single Burner Control, 110VAC 50/60Hz, Series 3 timings, with UV & FR amplifiers, Modbus
18	BP110UVFR-S3MP	BurnerPRO Single Burner Control, 110VAC 50/60Hz, Series 3 timings, with UV & FR amplifiers, Modbus & VP
19	BP110UVFR-S4M	BurnerPRO Single Burner Control, 110VAC 50/60Hz, Series 4 timings, with UV & FR amplifiers, Modbus
20	BP110UVFR-S4MP	BurnerPRO Single Burner Control, 110VAC 50/60Hz, Series 4 timings, with UV & FR amplifiers, Modbus & VP
21	BP110UVFR-S5M	BurnerPRO Single Burner Control, 110VAC 50/60Hz, Series 5 timings, with UV & FR amplifiers, Modbus
22	BP110UVFR-S5MP	BurnerPRO Single Burner Control, 110VAC 50/60Hz, Series 5 timings, with UV & FR amplifiers, Modbus & VP
23	BP110UVFR-S6M	BurnerPRO Single Burner Control, 110VAC 50/60Hz, Series 6 timings, with UV & FR amplifiers, Modbus
24	BP110UVFR-S6MP	BurnerPRO Single Burner Control, 110VAC 50/60Hz, Series 6 timings, with UV & FR amplifiers, Modbus & VP



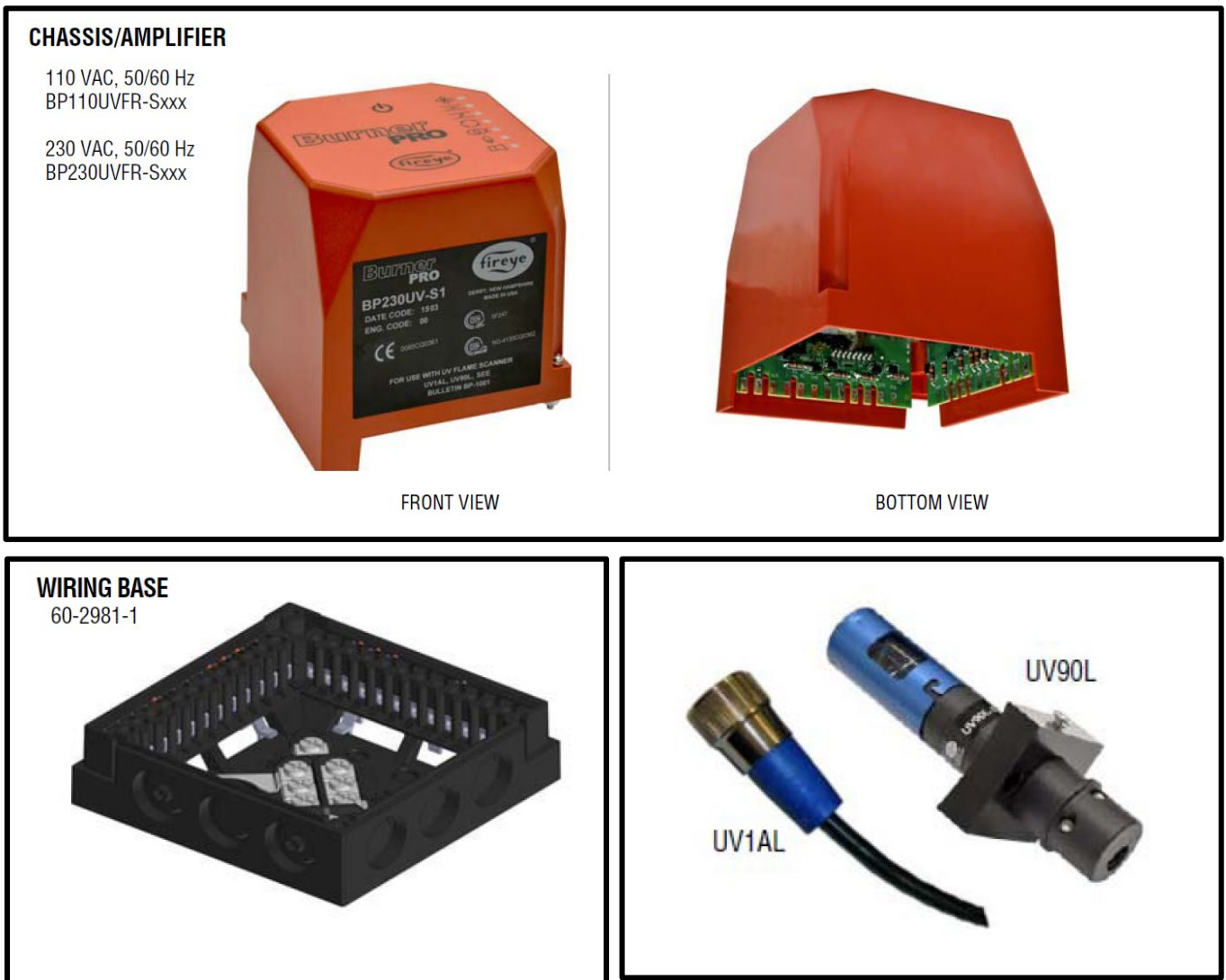
BurnerPRO Wiring Base	
60-2981-1	Standard base with terminal block and knockouts, 4.2"L x 4.2"W x 1.22"H
61-7429-1	Grounding wire/leash, 10" length

SCANNER SELECTION

FIREYE P/N	DESCRIPTION	BULLETIN
UV SCANNER		
UV90L-1	UV scanner, Front and side (90°) lateral view, terminal block hook-up	SC-108
UV1AL-3, -6	UV scanner, 1/2" NPT connector, front view, 3ft/6ft cable, shielded leads	SC-108
4-742-1	Replacement UV tube for UV90L-1	
UV5-1	UV Scanner, front and side viewing, 6.5ft leads	SC-108
FLAME ROD		
69ND1-1000K4	Flame rod 1/2" NPT mount, 12" length	SC-103
69ND1-1000K6	Flame rod 1/2" NPT mount, 18" length	SC-103
69ND1-1000K8	Flame rod 1/2" NPT mount, 21" length	SC-103



FIGURE 1.



MOUNTING RECOMMENDATIONS

Wiring Base

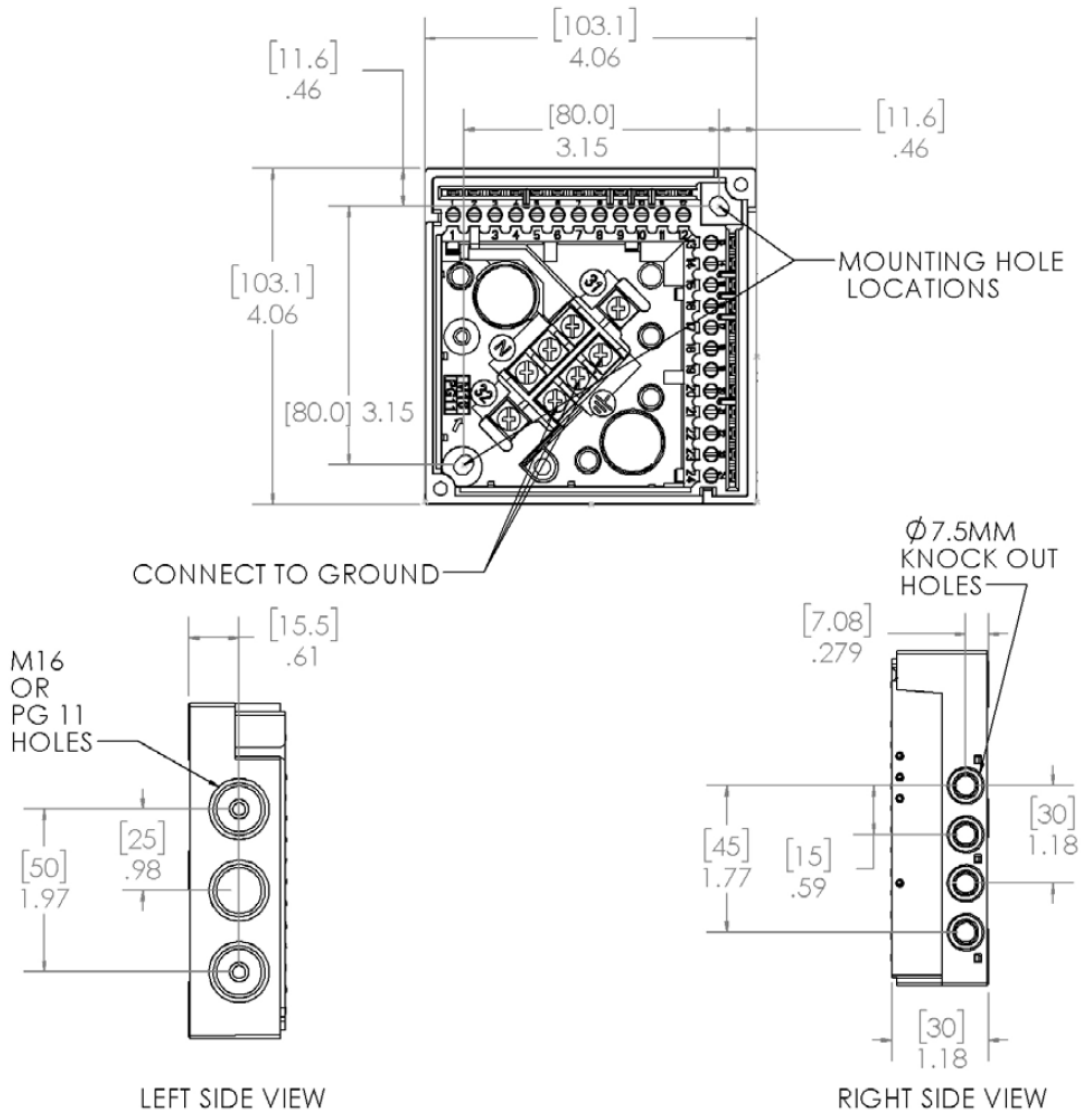
Mounting of the base can be accomplished with 2 screws. The recommended screw sizes are #10 PAN HD x 5/8inch (5mm PAN HD x 16mm) and #10 PAN HD x 3/8 inch (5mm PAN HD x 10mm). Refer to Figure 2 for mounting dimensions.

Grounding Wire

Each BurnerPRO control is fitted with a grounding wire. Attach the open end of the grounding wire to a ground terminal on the wiring base (see figure 2 below). Undo the screw terminal with a screwdriver and place the ground lug over the terminal. Re-install the screw over the ground lug. Do not attach the grounding wire to a Neutral (N) terminal.



FIGURE 2.



Note: The location should be free from excessive vibration and within the ambient temperature rating.



NOTICE: Installation, setup, and commissioning of the BurnerPRO control must be done by authorized and trained personnel. The personnel must know the do's and don'ts of the particular burner and must have relevant experience in the theories and practices of combustion control. Fireye cannot accept any liability for any consequences resulting from inappropriate, negligent or incorrect installation, commissioning or adjustment of operating parameters of the equipment. BurnerPRO does not have any user serviceable parts. If the unit has a problem, return the unit to your local distributor, or contact Fireye directly.



TABLE 4: TERMINAL WIRING

Terminal No.	Type	Description	Rating
1	Power	Line voltage supply	110VAC (+20%, -15%), 50/60Hz 230VAC (+10%, -15%), 50/60Hz single phase Frequency tolerance +/-5%
2	Power	Line voltage common	
3	Output	Alarm	See Load Ratings
4	Output	Lockout Limits	110/230 VAC, 1mA
5	Input	Recycle Limits	110/230 VAC, 1mA
6	Output	Combustion Air Blower	See Load Ratings
7	Output	Combustion Air Blower	
8	Input	Actuator Feedback	110/230 VAC, 1mA
9	Output	High Fire Purge (Open)	See Load Ratings
10	Output	Low Fire Purge (Minimum)	See Load Ratings
11	Output	Closed (Economy)	See Load Ratings
12	Input	Valve Proving / Proof of Closure	110/230 VAC, 1mA
13	Input	Combustion Air Switch Test	110/230 VAC, 1mA
14	Input	Combustion Air Prove	110/230 VAC, 1mA
15	Input	Valve Proving / Special function	110/230 VAC, 1mA
16	Output	Ignition	See Load Ratings
17	Output	Pilot	See Load Ratings
18	Output	Main Fuel Valve 1 (MV1)	See Load Ratings
19	Output	Main Fuel Valve 2 (MV2)	See Load Ratings
20	Output	Release to Modulate (AUTO)	See Load Ratings
21	Input	Remote Reset	110/230 VAC, 1mA
22	Output	UV Sensor (S1)	300 VDC, 3mA
23	Input	UV Sensor (S2)	Sensor Common/return
24	Output	FR Sensor (S3)	300 VAC, 1mA
N	Power	Line Voltage Common	
		Earth Ground	



CAUTION: Published load ratings assume that no contact be required to handle inrush current more often than once in 15 seconds. The use of control switches, solenoid, relays, etc. which chatter can lead to premature failure. It is important to run through a test operation (with fuel shut off) following the tripping of a circuit breaker, a blown fuse, or any known instance of chattering of any external current consuming devices.



INSTALLATION PROCEDURE

Install the wiring base where the relative humidity never reaches the saturation point. The Burner-PRO is designed to operate in a maximum 90% relative humidity environment. Do not install the BurnerPRO where it can be subjected to vibration in excess of 0.5G continuous maximum vibration. Allow at least one inch clearance (2.5 cm) around control for service and installation.

1. Wiring must comply with all applicable codes, ordinances and regulations.
2. Wiring must comply with NEC Class 1 (Line Voltage) wiring or equivalent regional code.
3. Torque rating on terminal block screws is 4.4 in/lbs to 5.3 in/lbs.
4. Limits and interlocks must be rated to simultaneously carry and break current to the ignition transformer, pilot valve and main fuel valve(s).
5. Recommended wire routing of lead wires:
 - a. Do not run high voltage ignition transformer wires in the same conduit with any other wires.
 - b. Do not route flame detector lead wires in conduit with line voltage circuits. Use separate conduit where necessary.
6. Maximum wire lengths:
 - a. The maximum lead wire length is 200ft. (61 meters) to terminal inputs (Operating limits, interlocks, valves, etc.).
 - b. Flame Detector lead wires: see section on flame scanners
 - c. Remote reset: The maximum length of wire is 500 feet (152 meters) to a normally open remote reset push-button, but should remain within sight and sound of the burner.

A good grounding system should be provided to minimize the effects of AC quality problems. A properly designed ground system meeting all the safety requirements will ensure that any AC voltage quality problems, such as spikes, surges and impulses have a low impedance path to ground. A low impedance path to ground is required to ensure that large currents involved with any surge voltages will follow the desired path in preference to alternative paths, where extensive damage may occur to equipment.



WARNING: Controls require safety limits utilizing isolated mechanical contacts. Electronic limit switches may cause erratic operation and should be avoided.

BEFORE INSTALLING THE BURNERPRO CONTROL



CAUTION: Ensure that electric power is turned off. Refer to SN-100 for recommended grounding techniques. Ensure that wiring base terminal is connected to protective earth.









Be aware that power to some interlocks (operating controls, air flow switches, modulating circuits, etc.) may be derived from sources other than what is controlling the BurnerPRO.



LED INDICATORS

The BurnerPRO control module has seven (7) LED indicator lights to annunciate the operating status of the control, as well as provide the reason for the last lockout condition. The "Open Damper" and "Close Damper" LEDs provide easy set-up of the modulating motor end switches. Each LED has a graphic symbol to describe its function (see Table below).

Table 5: Status LEDs

	FAN	Lights when the blower motor is energized (terminal 6) and flashes when the RUN/CHECK switch is in the "CHECK" position during Minimum, Open, PTFI, and MTFI.
	OPEN DAMPER	Will blink when the modulator motor is being driven to the high fire position. Once the high purge switch closes, this LED will light constant. The LED provides the status of the purge sequence.
	CLOSE DAMPER	Will blink when the modulator motor is being driven to the low fire position. Once the low fire switch closes, this LED will light constant. This LED provides the status of the low fire start interlock circuit.
	AUTO	Will light when the control releases to automatic modulating control.
	IGNITION	Will blink during Pilot Trial For Ignition (PTFI). Will light constant during Main Trial for Ignition (MTFI).
	FLAME	Will light whenever flame is detected by the flame scanner.
	ALARM	In the event of a lockout condition, the Alarm LED is illuminated and the remaining LEDs will light up to indicate the lockout condition. See "Safety Lockout Codes."
	RESET	During normal operation, the Reset LED is GREEN. In the event of a lockout condition, the Reset LED is illuminated RED. When Modbus is made, the Reset LED is illuminated YELLOW.

The "SMART" LEDs provide a flame strength display during check mode. In check mode, the status LED is yellow, the fan LED is blinking and LEDs 2-6 grow up from status forming a bar graph. Each LED blink represents 10% and LED lit represents 20% of total flame signal. See Table 6, Note 1. (5 LEDs lit is 100%, 2 LEDs is 40%)



Table 6: LED Run-time Status Indicator

OPERATION LED ● = ON	FAN	OPEN DAMPER	CLOSED DAMPER	AUTO	IGNITION	FLAME	STATUS
ICON							
OFF /NO POWER							OFF
NOT READY / DIAGNOSTICS							Green
READY / STANDBY			●				Green
CHANGING (note 3)	●	OFF Blinking ●	● Blinking OFF				Green
WAITING TO CLOSE	Blinking Green						Green
OPEN (before ignition)	●	●					Green
MINIMUM (before ignition)	●		●				Green
IGNITION	●		●		●		Green
PTFI	●		●		●	Blinking Green	Green
MTFI	●		●			●	Green
AUTO	●			●		●	Green
MINIMUM (During Flame)	●		●			●	Green
OPEN (During Flame)	●	●				●	Green
ECONOMY	●		●				Green
CHECK OPEN	Blinking	●					Yellow
CHECK MINIMUM	Blinking		●				Yellow
CHECK PTFI/MTFI/AUTO	Blinking	●Note 1	●Note 1	●Note 1	●Note 1	●Note 1	Yellow
FAULT / LOCKOUT	●Note 2	●Note 2	●Note 2	●Note 2	●Note 2	●Note 2	Red
END OF CYCLE	●		●	●	●		Green

NOTES:

- 1.The LEDs form a progress bar indicating Flame Signal Strength for aiming sensors during commissioning (The LEDs "Grow" upwards away from Status at 20% intervals of flame strength.)
- 2.The LEDs indicate the error or lockout code for troubleshooting
- 3.The LEDs change from ON to BLINKING to OFF showing the modulator operation

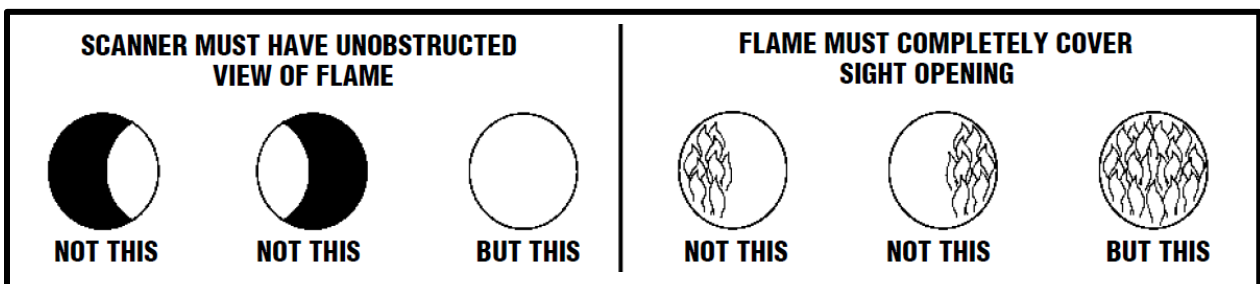
FLAME SCANNERS



INSTALLATION - UV SCANNERS

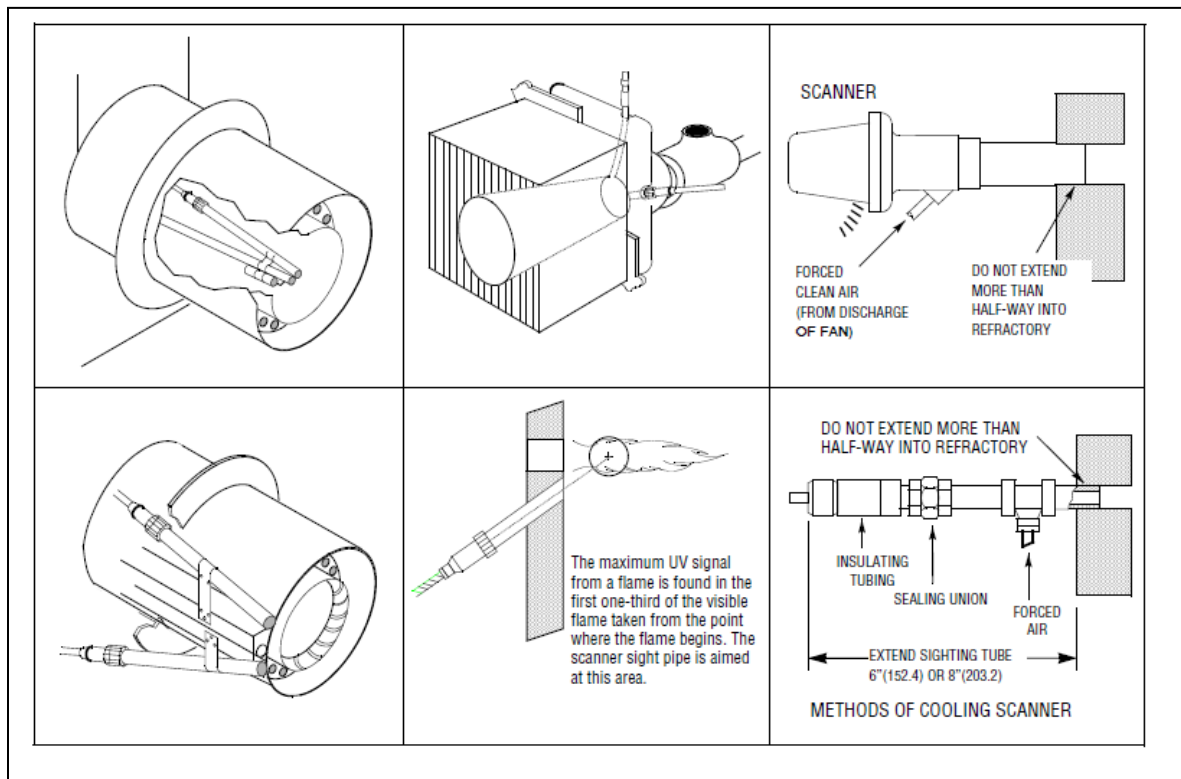
Where possible, obtain the burner manufacturer's instructions for mounting the scanner. This information is available for most standard burners. The scanner mounting should comply with the following general instructions:

1. Position the UV1AL, UV90L or UV5 scanner within 39 inches (1 meter) of the flame to be monitored. These scanners are not polarity sensitive except in the use of the UV5. Note the S1 and S2 markings on the supplied cable. They must match to the S1 and S2 connections on the BurnerPRO flame safeguard control.
2. Select a scanner location that remains within the ambient temperature limits of the UV scanner.
3. The UV1AL scanner is designed to seal off the sight pipe up to 1 PSI pressure. Higher furnace pressures must be sealed off. To seal off positive furnace pressure up to 50 PSI for the UV1AL scanner, install a quartz window coupling (P/N: 60-1257). Add cooling air to reduce the scanner sight pipe temperature.
4. Install the scanner on a standard NPT pipe (UV1AL: 1/2") whose position is rigidly fixed. If the scanner mounting pipe sights through the refractory, do not extend it more than halfway through. Swivel flanges are available if desired (P/N: 60-302). The sight pipe must permit an unobstructed view of the pilot and/or main flame, and both pilot and main flames must completely cover the scanner field of view.



5. Smoke or unburned combustion gases absorb ultra-violet energy. On installations with negative pressure combustion chambers, a small hole drilled in the UV1AL sight pipe assists in keeping the pipe clean and free from smoke. For positive pressure furnaces, provide clean air to pressurize the sight pipe, if necessary.
6. Two UV1AL scanners may be installed on the burner if it is necessary to view two areas to obtain reliable detection of the flame. They must be wired in parallel.
7. To increase scanner sensitivity with UV1AL scanner, a quartz lens permits location of the scanner at twice the normal distance. Use 1/2" x 1 1/2" pipe nipple between UV1AL scanner and the coupling.
8. Request the assistance of any Fireeye field office for recommendations of a proper scanner installation on a non-standard application.

TYPICAL SCANNER INSTALLATIONS



WIRING - UV SCANNERS

Specifications for UV Scanner supervision at nominal Flame strength:

Voltage (DC) across terminal 22&23 @110VAC during burner operation: 300V+XX%
 Voltage (DC) across terminal 22&23 @110VAC during burner operation: 300V+XX%
 Voltage (DC) across terminal 22&23 @110VAC during startup phase: 300V+XX%
 Voltage (DC) across terminal 22&23 @110VAC during startup phase: 300V+XX%

To connect the scanner to the control, the UV1AL scanner is supplied with 36" or 72" (0.9 m or 1.8 m) of flexible cable. The UV90L is supplied with a terminal board. Use two #18 AWG conductors to connect the UV90L to the control. The UV5 is supplied with 80" (2m) of flexible cable (detachable).

If it is necessary to extend the scanner wiring, the following instructions apply:

There is no polarity associated with the scanner wiring. Scanner wires must be installed in a separate conduit. The wires from several scanners may be installed in a common conduit.

1. Selection of Wire

- Wiring: For extended scanner wiring up to 500 feet (152 M), and for shorter lengths to reduce signal loss, use a shielded wire (Belden 8254-RG62 coaxial cable, or equal) for each scanner wire. The ends of the shielding must be taped and not grounded.
- Avoid asbestos insulated wire.
- Multi-conductor cable is not recommended without prior factory approval.

- High voltage ignition wiring must not be installed in the same conduit with flame detector wires.



INSTALLATION- 69ND1 FLAME ROD

Specifications for Flame rod supervision at nominal Flame strength:

Voltage (AC) across terminal 24&Earth @110VAC during burner operation: 300V+XX%

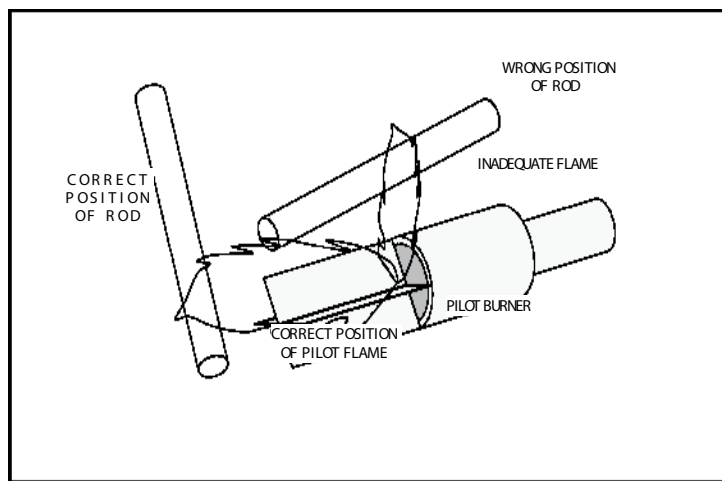
Voltage (AC) across terminal 24&Earth @110VAC during burner operation: 300V+XX%

Voltage (AC) across terminal 24&Earth @110VAC during startup phase: 300V+XX%

Voltage (AC) across terminal 24&Earth @110VAC during startup phase: 300V+XX%

The 69ND1 flame rod proves a gas pilot flame and/or main gas flame. It is a spark plug type unit. It consists of 1/2" "NPT" mount, a KANTHAL flame rod, a glazed porcelain insulating rod holder and a spark plug connector for making electrical connections. The 69ND1 is available in 12", 18" or 24" (0.3m, 0.46m, 0.6m) lengths.

The flame rod may be located to monitor only the gas pilot flame or both the gas pilot and main gas flames. Mount it with a 1/2" "NPT" coupling.

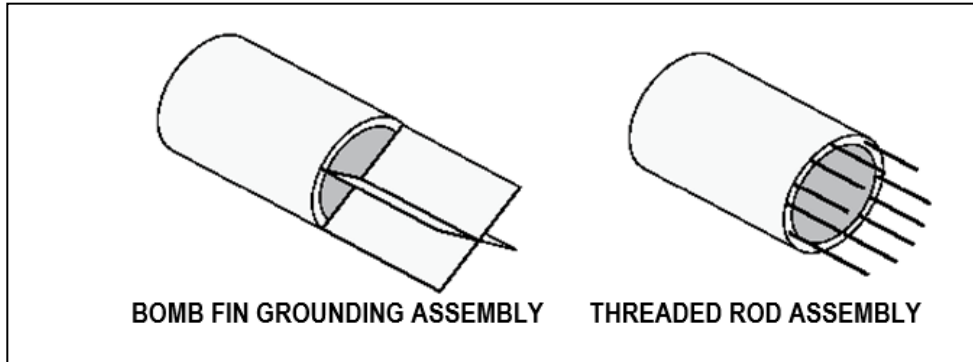


The following instructions should be observed:

1. Keep your flame rod as short as possible.
2. Keep your flame rod at least 1/2" from any refractory.
3. Your flame rod must enter the pilot flame from the side so as to safely prove an adequate pilot flame under all draft conditions.
4. If the flame is nonluminous (air and gas mixed before burning), extend the electrode tip at least 1/2" into the flame, but not more than halfway through.
5. If the flame is partly luminous, the electrode tip must extend only to the edge of the flame. It is not necessary to maintain uninterrupted contact with the flame.
6. It is preferable to angle the rod downward to minimize the effect of sagging and to prevent it from coming in contact with any object.
7. An adequate grounding surface for the flame must be provided. The grounding surface in actual contact with the flame must be at least 4 times greater than the area of the portion of the flame rod in contact with the flame. It is essential to adjust the flame rod and ground area ratio to provide a maximum, signal reading.

Note: Interference from the ignition spark can alter the true signal reading by adding to, or subtracting from it. This trend sometimes may be reversed by interchanging the primary wires (line voltage) to the ignition transformer. This interference can also be reduced by the addition of grounded shielding between the flame rod and ignition spark.

8. Proven types of flame grounding adapters, as shown below, may be used to provide adequate grounding surface. High temperature stainless steel should be used to minimize the effect of metal oxidation. This assembly may be welded directly over the pilot or main burner nozzle



WIRING - FLAME ROD

For proper operation of flame rectification systems, it is necessary to maintain at least 20 megohms insulating resistance in the flame rectification circuit.

1. The scanner should be wired using metal cable or rigid conduit.
2. High voltage wiring must not be installed in the same conduit with scanner wiring.

Selection of Scanner Wire

1. Use #14, 16, or 18 gauge wire with 90 C, 600 volt insulation for up to 20 feet distance.
2. The type of insulation used with flame rectification is important, since it must protect against current leakage resistance to ground. Use Belden 8254-RG62 Coaxial Cable (or equal) for runs greater than 20 feet.

Maximum wiring run not to exceed 100 feet.

MAINTENANCE - FLAME ROD

Type 69ND1 Flame Rod

The flame rod and its insulator should be kept clean by washing routinely with soap and water. Rods should be routinely replaced as they oxidize.

Flame Signal Strength

Routine observation of the flame signal strength will forewarn any deterioration in the capability of the flame detector or its application.



SYSTEM OPERATION

The fixed series timings determine the functional operation of the BurnerPRO control (e.g. purge timing, trial for ignition timings, etc.) The BurnerPRO offers a single multi-functional button and its functions are as follows:

RESET

The BurnerPRO control provides two methods of resetting the control in the event of a safety lockout: The push button reset and terminal 21 remote reset. Both reset methods can be used to stop the control in its firing sequence at any time to force a user/emergency lockout. A reset of the control can be accomplished by momentarily pressing the reset button or engaging the remote reset terminal.

CHECK MODE

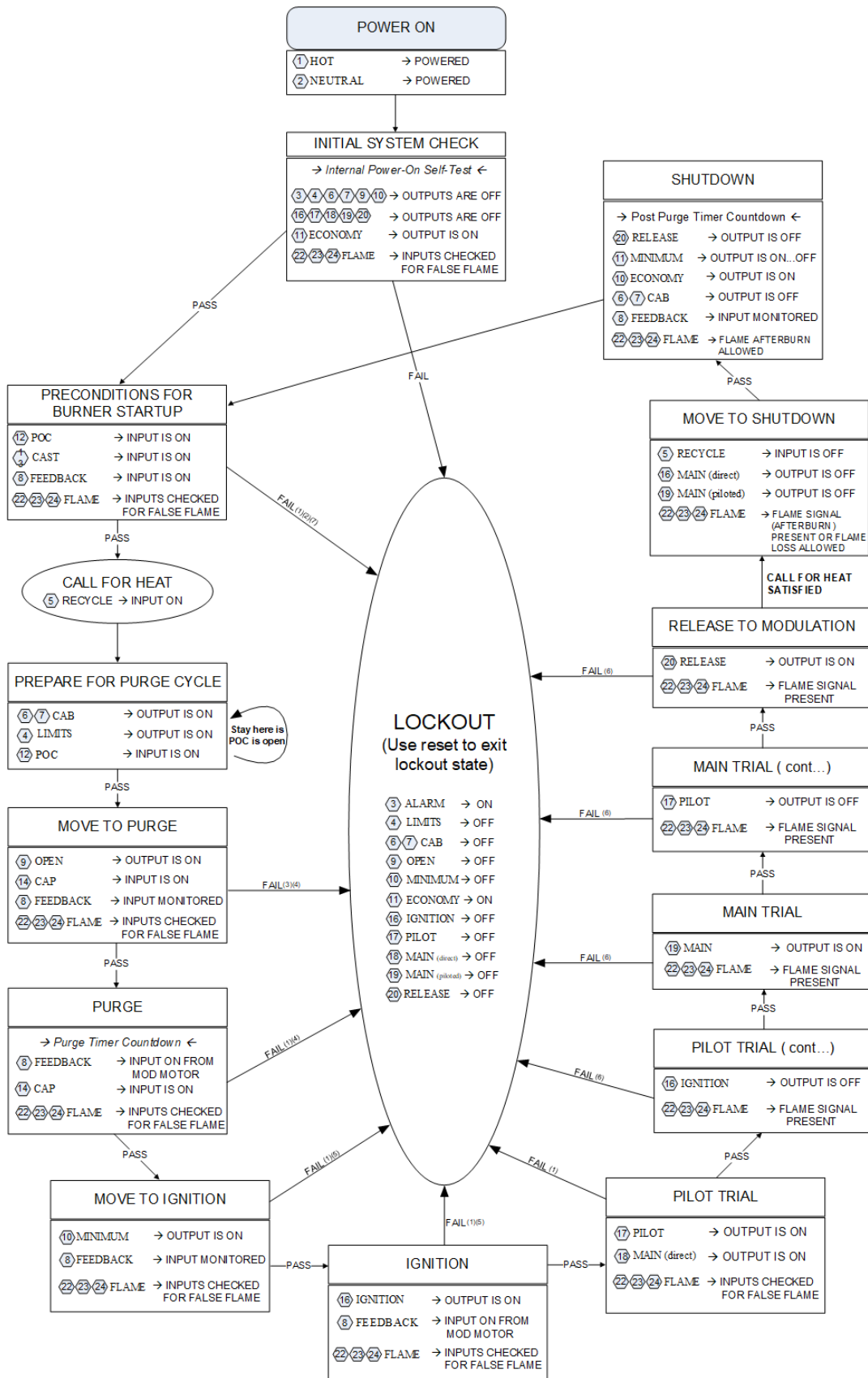
The push button reset switch has an added feature that allows the user to freeze the operational sequence at certain times (Purge, Ignition, PTFI, MTFI, and AUTO). This is known as CHECK MODE and it is designed to aid in set-up, start-up and check-out of the burner and its associated interlocks. This feature is very useful in pilot aiming and adjustment during commissioning or maintenance.

The check mode rules are:

- If the push button reset is held for at least 3 seconds, the status LED changes from green to yellow to signal that the control is in check mode.
- Momentarily pressing the push button reset while in check mode transitions the control into normal operating sequence, thus disabling check mode.
- The control locks out during Purge, Ignition, or PTFI states if check mode is active longer than 30 minutes
- The control allows check mode in MTFI and AUTO states for 2 minutes each. The control automatically cancels check mode after 2 minutes in MTFI/AUTO state and resumes normal operation.
- When in check mode during PTFI, MTFI and AUTO states, the control uses the *open*, *close*, *auto*, *ignition*, and *flame* LEDs to annunciate the flame signal strength. Every illuminated LED (starting with the flame LED) represents a 20% signal strength.
- It should be noted that the control will still perform safety checks in the background while in CHECK mode to ensure the safe operation of the burner. The control will proceed to lockout if it detects an unsafe condition.



FIGURE 3. OPERATIONAL SEQUENCE





NOTES:

- 1) Presence of flame at this point results in a lockout.
- 2) When CAST (terminal 13) is open and POC (terminal 12) is open at this point, control locks out after 10 minutes. When CAST is open and POC is closed, control remains in same state indefinitely.
- 3) Control locks out if FEEDBACK (terminal 8) is not present after 10 minutes.
- 4) CAP (terminal 14) input is required to proceed. Otherwise, control locks out, after 10 minutes.
- 5) FEEDBACK (terminal 8) must remain present. Otherwise, control locks out, after 10 minutes.
- 6) Presence of real flame is mandatory. Otherwise, control locks out. Flame failure results in Post-Purge at lockout.
- 7) The control locks out if POC (FVES) cannot be proven closed upon call for heat.
- 8) Presence of flame for more than 60sec at this point will result in a lockout.
- 9) CAP (Terminal 14) input must remain present. Otherwise, control will lockout.

EXPLANATION OF SEQUENCE STATES

1) POWER ON

This is the application of power to the control. It's important that a single phase (110/230 VAC 50/60 Hz) is applied to the control and the inputs to the control are sourced from the same phase.

2) INITIAL SYSTEM CHECK

During this state, the control undergoes an internal Power-On Self-Test (POST) to verify that the hardware and software are operating properly. The non-volatile lockout feature forces the control to move to lockout if the last lockout condition was not cleared prior to power off. The control further checks the critical input and output terminals to make sure they are in the proper state. The control expects the flame to be completely extinguished at this point.

3) PRECONDITIONS FOR BURNER STARTUP

The control verifies that the air-flow switch is in the Normally Closed position via the Combustion Air Switch Test (CAST) input and a verification of the main fuel shutoff valve (POC/FVES) is performed as well. Flame must not be present at this point. Failure to prove POC or CAST input will lead to a halt in the state sequence or the control will proceed to lockout.

4) CALL FOR HEAT

The recycle limit (terminal 5) is energized to alert the control to start a burner cycle.

5) PREPARE FOR PURGE CYCLE

The control turns on the combustion blower (terminals 6 & 7).

6) MOVE TO PURGE

The control commands the damper actuator to move to the OPEN (high fire) position. It expects the actuator to report a successful transition to the OPEN position by energizing the FEEDBACK input (terminal 8). The control also checks to make sure that the airflow switch is operating by monitoring the CAP input.

7) PURGE

The control purges the combustion vessel for a period of time (length of purge is based on the control series installed).

8) MOVE TO IGNITION

Upon successful purging, the control moves to ignition by energizing the MINIMUM output (terminal 10). It expects the actuator to report a successful transition to the MINIMUM (LOW FIRE) position by energizing the FEEDBACK input (terminal 8). Flame must not be present at this point.

9) IGNITION

The control energizes the ignition transformer by activating terminal 16. It's critical that the damper actuator remain at the MINIMUM (LOW FIRE) position during this state. Flame must not be present at this point.



10) PILOT TRIAL (1st safety time)

The control turns on the pilot flame by energizing terminal 17. The MAIN direct output (terminal 18) is also energized for systems that implement direct light-off of the main flame during pilot. The control doesn't check for flame during this phase as the flame may not be fully established.

11) PILOT TRIAL (1st safety time)

The ignition transformer is turned off. The pilot flame signal is proven during this phase. Failure to "see" a flame results in a lockout.

12) MAIN TRIAL (2nd safety time)

The main fuel valve (piloted) output (terminal 19) is energized to light-off the main flame. Flame signal must be present during this phase.

13) MAIN TRIAL (2nd safety time)

The pilot output (terminal 17) is turned off during this phase. Flame signal must remain present.

14) RELEASE TO MODULATION

After successfully establishing flame, the control proceeds to relinquish modulation control to the boiler management system. Flame signal must remain present. Terminal 20 is energized.

15) MOVE TO SHUTDOWN

Move to shutdown occurs when the load demand has been satisfied and the RECYCLE LIMIT (terminal 5) is open. This forces the control to close the main fuel valves by de-energizing MAIN DIRECT (terminal 18) and MAIN PILOTED (terminal 19) outputs. The combustion air blower remains on for post-purge. Flame after burn is allowed during this phase

16) SHUTDOWN

The control proceeds to purge the combustion chamber for a period of time (length of post-purge is based on the control series installed). Then it proceeds to the MINIMUM (low-fire) position and later to the ECONOMY (closed) position. After successfully completing a post-purge cycle, the control turns off the combustion air blower. Any flame afterburn is expected to be completed at the completion of post-purge.

17) LOCKOUT

The control proceeds to a lockout state when it detects an internal or external fault condition. The reset button and remote reset terminal can be used to exit the lockout state. However, the control will revert to lockout if the fault condition is not rectified.

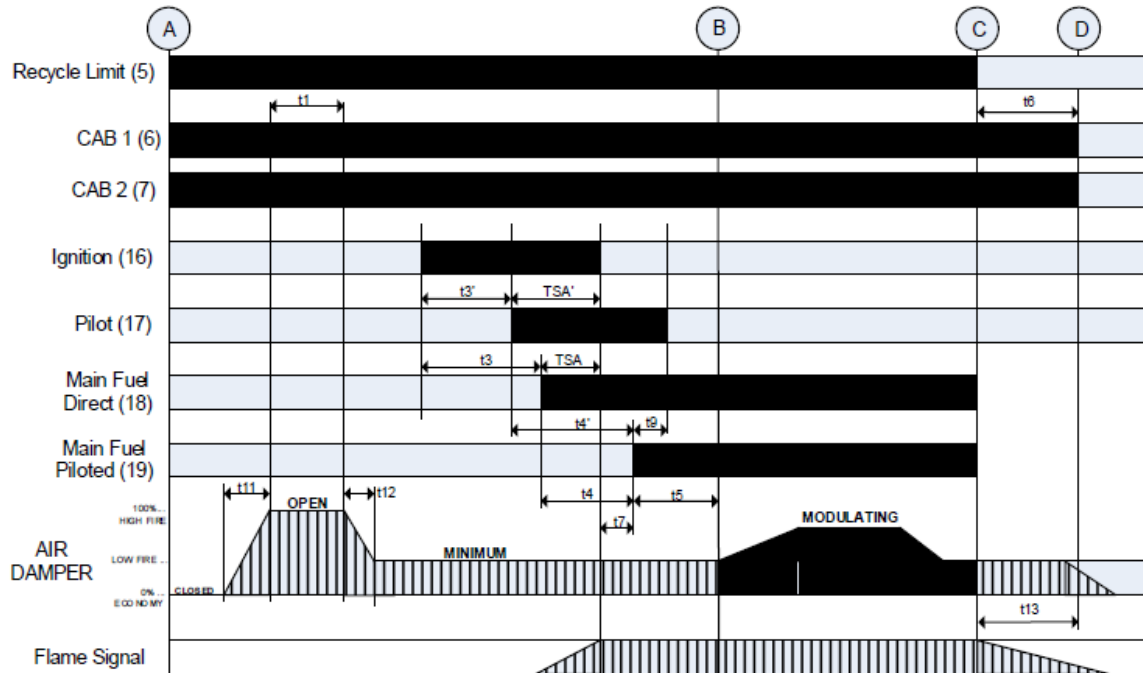
18) VALVE PROVING *(not shown in drawing)*

If the control supports valve proving, it will perform valve proving operation at pre-purge or post-purge -- depending on the parameter selection by the installer. By default, valve proving is programmed to occur during pre-purge. A failure of the valve proving operation will force the control to proceed to lockout. Upon a successful completion of valve proving operation, the control will proceed to the next state -- if valve proving is configured for pre-purge, the control will move to purge state upon completion of valve proving; if valve proving is configured for post-purge, the control will move to standby state upon successful completion of valve proving.



FIGURE 4.

SEQUENCE TIMING:



LEGEND

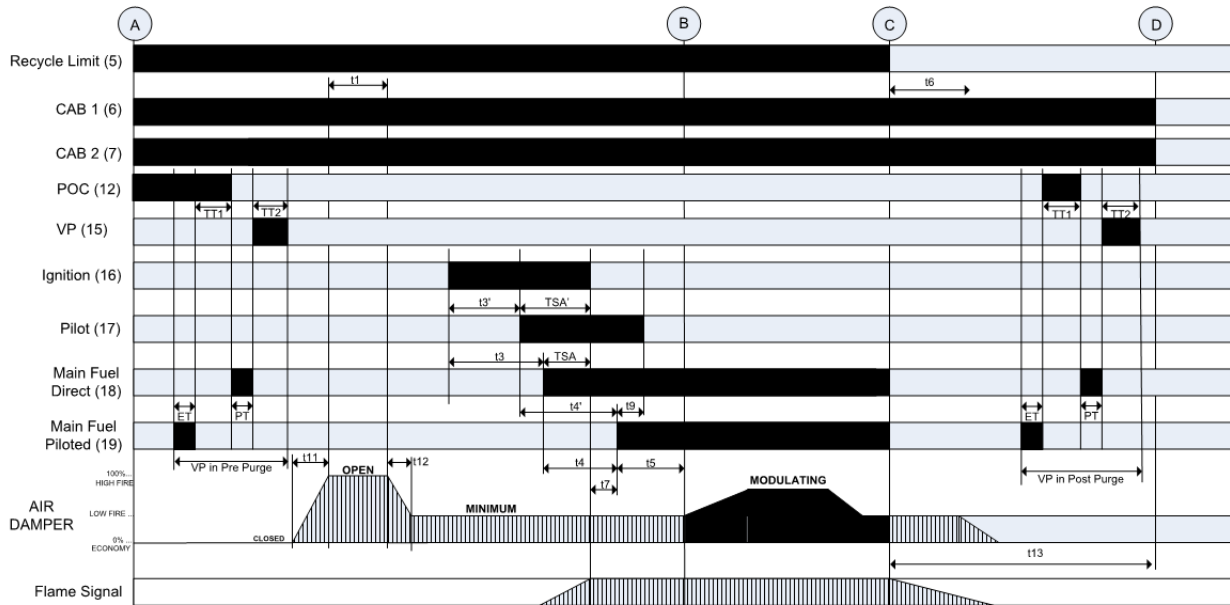
- A – Start command (Call for Heat)
- B – Release to modulation
- C – End of burner fuel cycle
- D – End of operating sequence

- t1 – Purge time
- t3 – Pre-ignition time (direct fired)
- t3' – Interval between Ignition and Pilot valve (piloted)
- TSA' – First safety time (PTFI)
- TSA – First safety time (Direct ignition)
- t4 – Interval between voltage on Pilot/Main Fuel Direct and Main Fuel Piloted
- t4' – Interval between Pilot and the Main Fuel Piloted
- t5 – Interval between Main Fuel Piloted and release to Modulation
- t6 – Post-purge time
- t7 – Pilot stabilization period
- t9 – Second safety time (MTFI)
- t11 – Air damper running time to the HIGH FIRE position
- t12 – Air damper running time to the LOW FIRE position
- t13 – Permissible afterburn time



FIGURE 5.

SEQUENCE TIMING FOR VALVE PROVE:



LEGEND
 A – Start command (Call for Heat)
 B – Release to modulation
 C – End of burner fuel cycle
 D – End of operating sequence

ET – Evocation Time
 PT – Pressurization Time
 TT1 – Test time 1 for VP
 TT2 – Test time 2 for VP



Table 7: EXPANDED TIMINGS TABLE

Times are in seconds		BURNERPRO SERIES TIMINGS					
TIMING	DESCRIPTION	S1	S2	S3	S4	S5	S6
t1	Purge time	36	31	37	60	37	30
t3	Pre-ignition time (direct fired)	4	6	5	5	5	10
t3'	Pre-ignition time (piloted)	4	6	2.5	2.5	2.5	1
TSA	Ignition safety time (direct ignition)	2	3	2.5	2.5	2.5	1
TSA'	Ignition safety time (PTFI)	2	3	5	5	5	10
t4	Interval between voltage on Pilot/Main Fuel Direct and Main Fuel Piloted	10	11.5	12.5	12.5	12.5	5
t4'	Interval between start of TSA and the main fuel piloted	10	11.5	15	15	15	15
t5	Interval between Main Fuel Piloted and release to Modulation	10	11.5	12.5	12.5	12.5	15
t6	Post-purge time	12	18	15	15	15	15
t7	Pilot stabilization period	8	8.5	10	10	10	5
t9	Interval between Main Fuel Piloted and removal of Pilot (MTFI)	2	3	5	5	5	10
t11	Air damper running time to the HIGH FIRE position	OPTIONAL					
t12	Air damper running time to the LOW FIRE position	OPTIONAL					
t13	Permissible afterburn time (Post-purge + 60s)	72	78	75	75	75	75
FFRT	Flame Failure Response Time (FFRT)	1.0 ^b				4.0 ^b	

NOTE: unless stated as minimum or maximum, timings are nominal values.

a: Minimum time

b: Maximum time



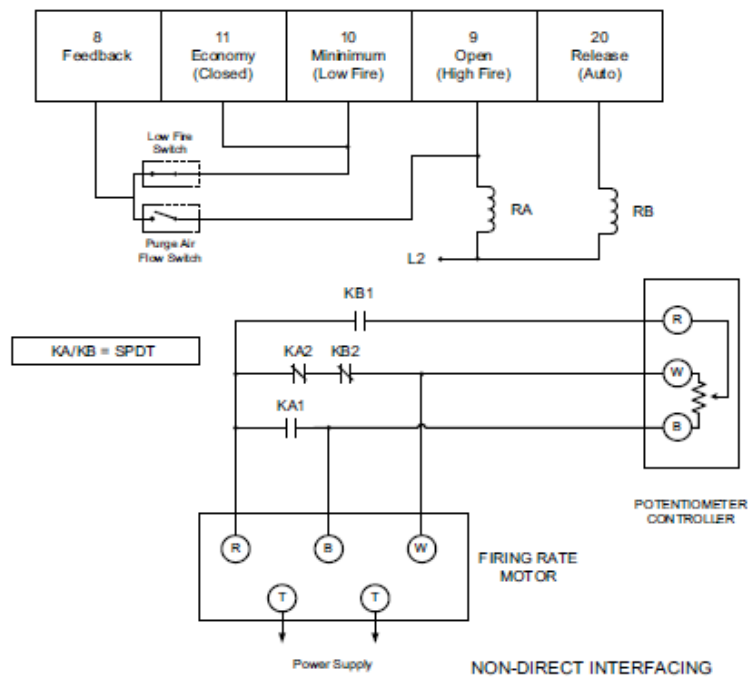
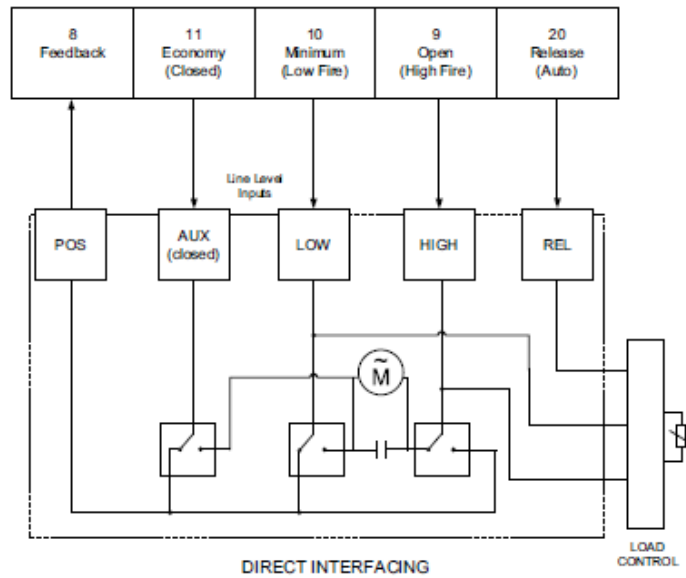
DESCRIPTION OF FUNCTIONS OF OPERATING CONTROLS

1. **Limit Switches:** These are generally pressure, water level or temperature activated. There are two types which are:
 - a. Recycle - when it is desired to start the burner or a call for heat is present, the limit switch closes causing the burner start-up sequence to begin. When it is desired to stop the burner or the setpoint has been satisfied, the limit switch opens causing the burner to stop. The recycle limit is connected between terminal 4 and 5.
 - b. Non-Recycle/Lockout -when it is necessary to stop the burner when the limit switch opens and prevent it from starting until both the limit switch recloses and the manual reset is activated. The non-recycle limit is connected between terminals 4 and 14.
2. **Proof of Closure Interlock:** This is generally an integral switch mounted on the main fuel valve and activated by the valve stem. It is connected between Terminal 4 & 12 when burner is idle. The POC switch interlock prevents a burner start-up if the valve stem is not in the "valve closed" position.
3. **Purge Interlock:** Generally a firing rate motor linkage position switch or a differential air-pressure switch that proves a maximum purge air flow rate. It is connected between Terminals 8 and 9. The purge interlock proves that the air damper is fully open and purge air flow rate is at maximum during the purge.
4. **Running Interlocks:** These generally are high and low fuel pressure switches, oil temperature switches, atomizing media pressure switches, and excess smoke density controls. These interlocks prove proper conditions for normal operation of the burner.



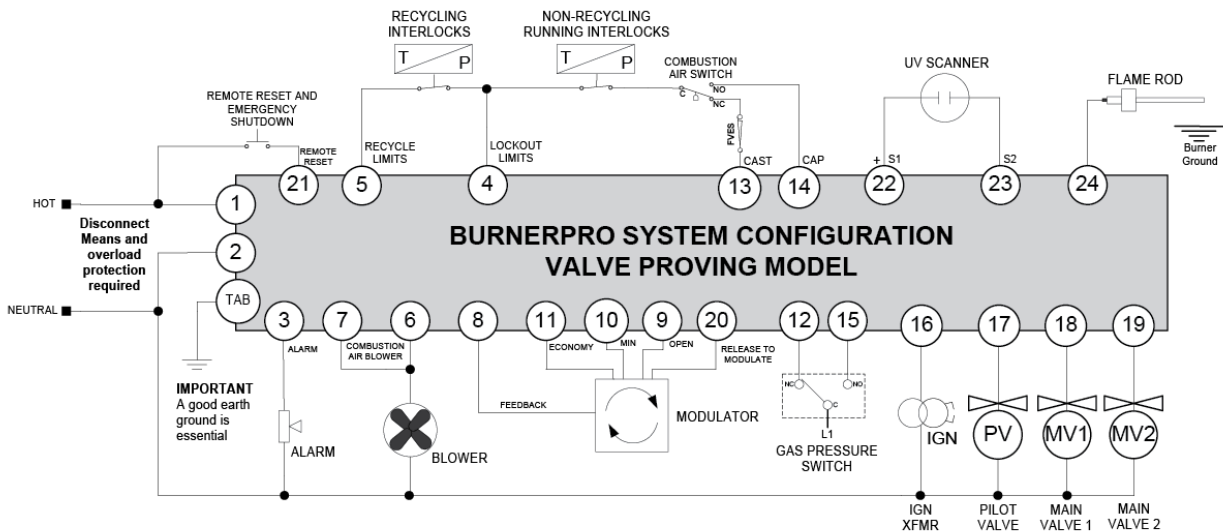
CONNECTION TO AN EXTERNAL ACTUATOR

BurnerPRO is designed to interface with an external actuator. It offers direct interfacing to common actuators that support line voltage signaling (see figure below). It can also be wired with low voltage actuators with the aid of interposing relays (see figure below)

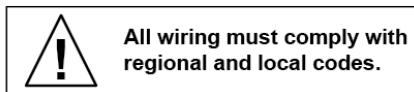




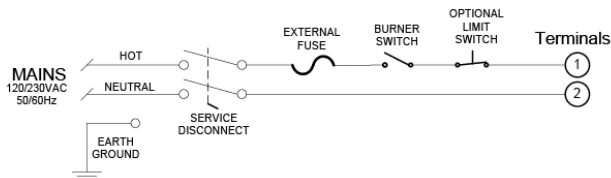
EXAMPLE WIRING DIAGRAM FOR MODULATING BURNER w/ INTERRUPTED PILOT CONFIGURED FOR VALVE PROVING



1. Pilot is only on during Ignition.
2. MIN represents the LOW FIRE position.
3. OPEN represents the HIGH FIRE position.
4. POC represents Proof of Closure – otherwise known as Fuel Valve End Switch.
5. Recycling Interlocks are general one or more limits switches in series that are used to stop the burner when the limit switch opens and restart when the limit switch recloses.
6. Non-Recycling Interlocks are general one or more limits switches in series that are used to stop the burner when the limit switch opens and prevent it from restarting until both the limit switch recloses and the manual/ remote reset is activated.
7. CAST is defined as the Combustion Air Switch Test.
8. CAP is defined as the Combustion Air Prove.
9. Combustion Air Blower Terminals 6 & 7 are tied internally.
10. If equipped, the ECONOMY position may be used to fully close the dampers, thus, reducing heat losses.
11. System can be configured for UV sensor only, FR sensor only, or Both. Adequate grounding must be provided to ensure proper FR operation.



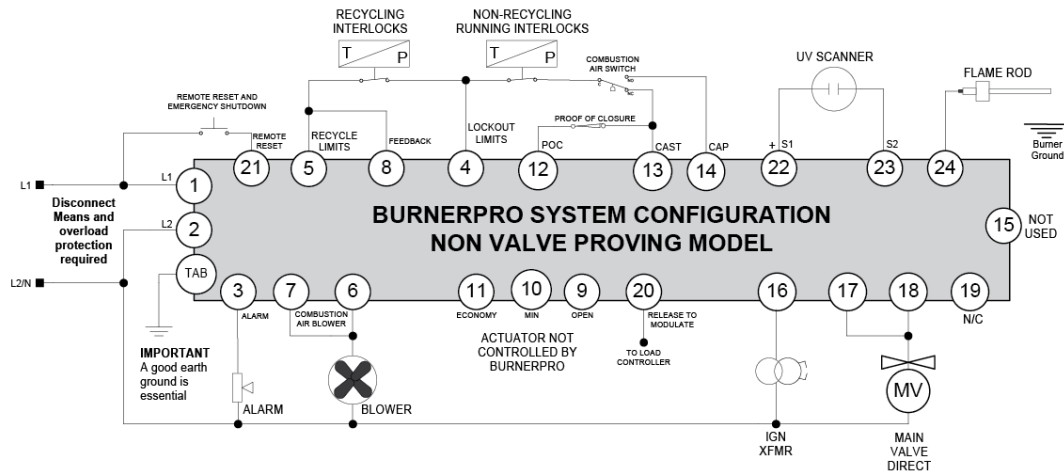
Typical Mains connection



Caution: All safety limit switches must be approved as limit controls and must be wired directly in the circuit of the Flame Safeguard control. The use of electronic switches to close interlock circuits can cause erratic operation.

Proper grounding is necessary. Wiring base ground terminal must be attached to the grounded bonding screw in cabinet

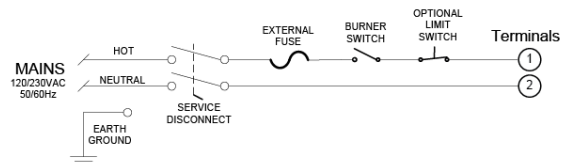
EXAMPLE WIRING DIAGRAM FOR BURNER w/ DIRECT IGNITION



1. No Pilot -- Main flame is established shortly after Ignition transformer is energized (see timing table).
2. MIN represents the LOW FIRE position.
3. OPEN represents the HIGH FIRE position.
4. POC represents Proof of Closure -- otherwise known as Fuel Valve End Switch.
5. Recycling Interlocks are general one or more limits switches in series that are used to stop the burner when the limit switch opens and restart when the limit switch recloses.
6. Non-Recycling Interlocks are general one or more limits switches in series that are used to stop the burner when the limit switch opens and prevent it from restarting until both the limit switch recloses and the manual/ remote reset is activated.
7. CAST is defined as the Combustion Air Switch Test.
8. CAP is defined as the Combustion Air Prove.
9. Combustion Air Blower Terminals 6 & 7 are tied internally.
10. If equipped, the ECONOMY position may be used to fully close the dampers, thus, reducing heat losses.
11. System can be configured for UV sensor only, FR sensor only, or Both. Adequate grounding must be provided to ensure proper FR operation.

Typical Mains connection

All wiring must comply with regional and local codes.

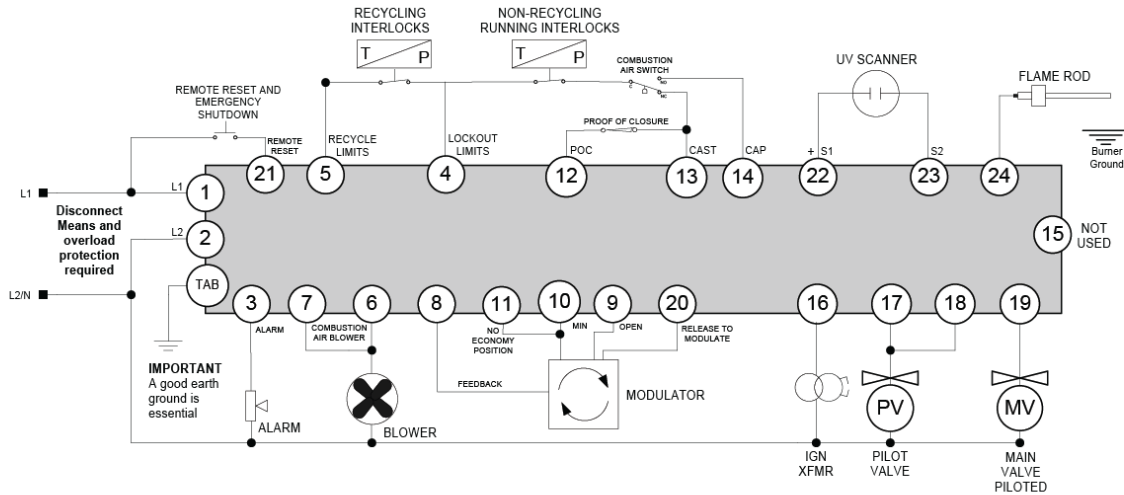


Caution: All safety limit switches must be approved as limit controls and must be wired directly in the circuit of the Flame Safeguard control. The use of electronic switches to close interlock circuits can cause erratic operation.

Proper grounding is necessary. Wiring base ground terminal must be attached to the grounded bonding screw in cabinet

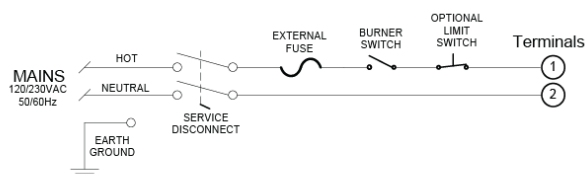
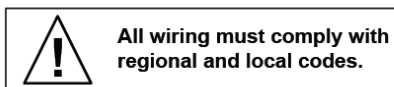


EXAMPLE WIRING DIAGRAM FOR MODULATING BURNER w/ INTERMITTENT PILOT



1. Pilot is on during ignition and remains on during the firing cycle.
2. MIN represents the LOW FIRE position.
3. OPEN represents the HIGH FIRE position.
4. POC represents Proof of Closure – otherwise known as Fuel Valve End Switch.
5. Recycling Interlocks are general one or more limits switches in series that are used to stop the burner when the limit switch opens and restart when the limit switch recloses.
6. Non-Recycling Interlocks are general one or more limits switches in series that are used to stop the burner when the limit switch opens and prevent it from restarting until both the limit switch recloses and the manual/ remote reset is activated.
7. CAST is defined as the Combustion Air Switch Test.
8. CAP is defined as the Combustion Air Prove.
9. Combustion Air Blower Terminals 6 & 7 are tied internally.
10. If equipped, the ECONOMY position may be used to fully close the dampers, thus, reducing heat losses.
11. System can be configured for UV sensor only, FR sensor only, or Both. Adequate grounding must be provided to ensure proper FR operation.

Typical Mains connection

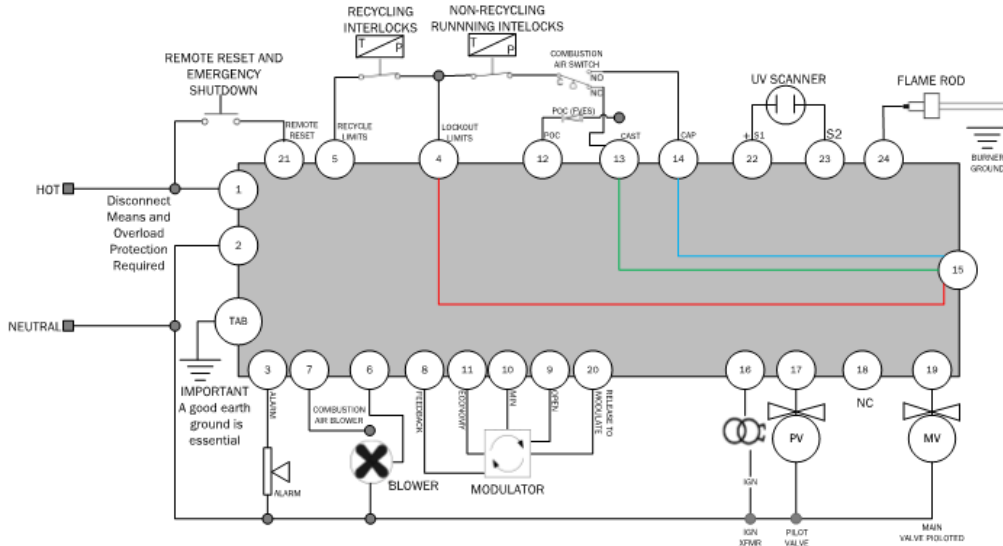


Caution: All safety limit switches must be approved as limit controls and must be wired directly in the circuit of the Flame Safeguard control. The use of electronic switches to close interlock circuits can cause erratic operation.

Proper grounding is necessary. Wiring base ground terminal must be attached to the grounded bonding screw in cabinet



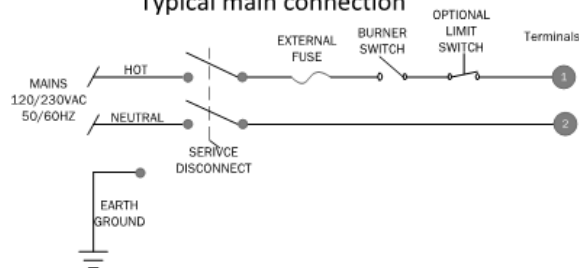
EXAMPLE WIRING DIAGRAM FOR ZERO PRE PURGE AND ZERO POST PURGE



1. Pilot is on during ignition and remains on during the firing cycle.
2. MIN represents the LOW FIRE position.
3. OPEN represents the HIGH FIRE position.
4. POC represents Proof of Closure-otherwise known as Fuel Valve End Switch.
5. Recycling interlocks are general one or more limits switches in series that are used to stop the burner when the limit switch opens and restarting when the limit switch recloses.
6. Non-Recycling interlocks are general one or more limits switches in series that are used to stop the burner when the limit switch opens and prevent it from restarting until both the limit switch recloses and the manual/remote reset is activated.
7. CAST is defined as thee Combustion Air Switch Test.
8. CAP is defined as the Combustion Air Prove.
9. Combustion Air Blower Terminals 6&7 are tied internally
10. If equipped, the ECONOMY position may be used to fully close the dampers. Thus, reducing heat losses.
11. System can be configured for UV sensor only, FR sensor only, or both. Adequate grounding must be provided to ensure proper FR operation.
12. Connect Terminal 13 with Terminal 15 to Skip Pre-Purge.(As shown with Green Line)
13. Connect Terminal 14 with Terminal 15 to Skip Post-Purge.(As shown with Blue Line)
14. Connect Terminal 4 with Terminal 15 to Skip Pre-Purge and Post-purge.(As shown with Red Line)

Typical main connection

Note: Zero Pre-purge and Zero Post-purge shall be supported by non-valve prove variant of BP.



! All wiring must comply with Regional and local codes.



Caution: All safety limit switches must be approved as limit controls and must be wired directly in the circuit of the flame safeguard control. The use of electronic switches to close interlock circuit can cause erratic operation.

Proper grounding is necessary. Wiring base ground terminal must be attached to the grounded bonding screw in cabinet



COMMUNICATIONS

The protocol to be used is Modbus RTU. This is implemented by the master (PC, PLC, etc.) issuing a poll to the slave (BurnerPRO) and the slave responding with the appropriate message.

A typical format of a poll request is as follows:

Table 1: MESSAGE FORMAT

DST	FNC	ADR HI	ADR LO	DAT HI	DAT LO	CRC LO	CRC HI
-----	-----	-----------	-----------	-----------	-----------	-----------	-----------

DST refers to the logical address of the slave.

FNC is the function being requested. FNC 03 is a read request.

ADR is the message number or register number of the data being requested.

For the BurnerPRO all registers are mapped as HOLDING REGISTERS, FNC 03. Register addresses begin at 40001 but is interpreted as address 00.

DAT is the number of words being requested. A word is an integer consisting of 2 bytes. The normal response from a slave is as follows:

Table 2: MODBUS

DST	FNC	DBC	DATA... Hi/Lo	CRC LO	CRC HI
-----	-----	-----	------------------	-----------	-----------

DBC is the data byte count being returned. It must be two times the DAT number from the poll request.

DATA is the data returned and is always a series of 2 byte integers. If 4 words were requested then DBC would be 8 and there would be 8 data bytes or 4 data words containing the requested data.

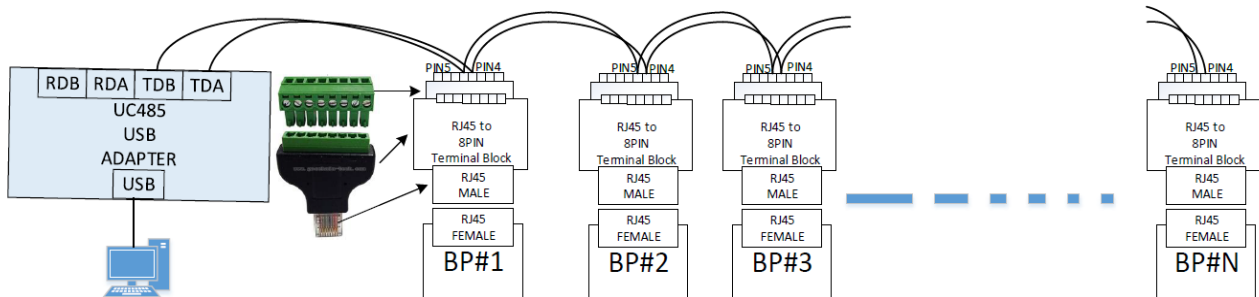
The default format of the data is N,8,1 meaning no parity, and 1 stop bit. Baud rate is selectable through the keypad / display. As shipped the baud rate is 9600.

Communication to the BurnerPRO control is made through the RJ45 port located on the side of the control. Since the RJ45 port is not compliant with a standard network Ethernet pinout, so it is recommended to use an addition connector's assembly (Part NoXxxx) to gain physical access to the modbus communication signals. The physical method for communications is RS485, half duplex. The modbus communication signals are designated "A" or "-" and "B" or "+". Fireye offers a Modbus connection kit for the BurnerPRO. Fireye also offers the UC485 USB adapter for connection to a PC.

Modbus Interface on BurnerPRO can be used in two different modes:

1. Safety writes mode: This is called as Modbus config mode. In this Mode an authorized permission can configure safety parameters as intended. This mode is limited to Factory & Tech support team for commissioning. This mode is applicable to standby sate only and requires a special cable.
2. Read Modes-In this mode various parameters (As per Modbus map for Dynamic parameter) can be read while BurnerPRO is in operation. For this mode a standard CAT5 cable shall be used.

Below is the high level diagram for using BurnerPRO Modbus port for read operation in Daisy chain.





MODBUS MESSAGE TABLE / MAP

Static and User command data				
Holding Register	Message Address	Word Requested	Response	Value
40001	00	1	Burner ON/OFF	Enable or disable burner operation: 0x00 = Burner OFF 0x01 = Burner ON
40002	01	1	Lockout Reset	Reset command: 0x00: Reset from lockout 0x01: Move to lockout
40003	02	1	Modbus Address	Upper 16 bits of the 32 bit System Operational Minute Counter
40004	03	1	Modbus Baud-rate	Lower 16 bits of the 32 bit System Operational Minute Counter
40005	04	1	Modbus Parity	Data parity: 0x00: 8/E/1 [1-start, 8-data, Even parity, 1-stop] 0x01: 8/N/2 [1-start, 8-data, No parity, 2-stop] 0x02: 8/O/1 [1-start, 8-data, Odd parity, 1-stop] 0x03: 8/N/1 [1-start, 8-data, No parity, 1-stop]
40006	05	1	Product ID	Product identification ID
40007	06	1	Main MCU CRC	Check sum value of Main MCU
40008	07	1	Supervisory MCU CRC	Check sum value of Main MCU
40009	08	1	MAIN MCU Firmware	Main MCU Firmware revision
40009	08	1	Supervisory MCU Firmware Revision	Supervisory MCU Firmware revision

Read-only data				
40201	200	1	Burner State	Burner sequence states: 0 thru 38
40202	201	1	Actuator position	Position of actuator: 0x00: unknown position 0x01: Open position (High Fire) 0x02: Minimum position (Low Fire) 0x03: Economy position (Closed) 0x04: Auto position (release to Modulation)
40203	202	1	Ignition	Ignition terminal drive state: 0x00: OFF 0x01: ON
40204	203	1	Pilot	Pilot terminal drive state: 0x00: OFF 0x01: ON
40205	204	1	Main fuel valve 1 (MV1)	Upstream shutoff valve terminal drive state: 0x00: OFF 0x01: ON
40206	205	1	Main fuel valve 2 (MV2)	Downstream shutoff valve terminal drive state: 0x00: OFF 0x01: ON



40207	206	1	AUTO	Release to modulation drive state: 0x00: OFF 0x01: ON
40208	207	1	Recycle Limit	Recycle limit terminal state: 0x00: OFF 0x01: ON
40209	208	1	POC	Proof of closure terminal state: 0x00: OFF 0x01: ON
40210	209	1	CAST	Combustion air switch test terminal state: 0x00: OFF 0x01: ON
40211	210	1	CAP	Combustion air prove terminal state: 0x00: OFF 0x01: ON
40212	211	1	Actuator feedback	Actuator feedback terminal state: 0x00: OFF 0x01: ON
40213	212	1	Valve Proving States	Valve proving test states: 0x00: Test not started 0x01: Test started 0x02: Evacuate test space 0x03: Test Time 1 phase 0x04: Test time 1 complete 0x05: Pressurize test space 0x06: Test time 2 phase 0x07: Test time 2 complete 0x08: Valve proving complete 0x09: Valve proving complete
40214	213	1	Valve prove test counter	Countdown timer for valve proving in sec
40215	214	1	Actuator feedback counter	Actuator feedback waiting timer
40216	215	1	CAST timer	Combustion air switch test waiting timer
40217	216	1	CAP timer	Combustion air prove waiting timer
40218	217	1	POC counter	Proof of closure waiting timer
40219	218	1	Pre-purge counter	Pre-purge countdown timer
40220	219	1	Post-purge counter	Post-purge countdown timer
40221	220	1	Check mode timer	Check mode timer
40222	221	1	Remote Reset attempts	Shows the number of remote reset applied by the user in the allotted window [15mins]
40223	222	1	Reset inhibit timer	Countdown timer to restore remote reset operation
40224	223	1	Burner minutes	Burner ON minutes
40225	224	1	Burner seconds	Burner ON seconds
40226	225	1	System minutes	System ON minutes
40227	226	1	System seconds	System ON seconds
40228	227	1	Operating frequency (MCU 1)	Line voltage frequency: 0x00: 50Hz 0x01: 60hz



40229	228	1	Operating frequency (MCU 2)	Line voltage frequency: 0x00: 50Hz 0x00: 60hz
40230	229	1	Terminal 15 (VPS)	Status of terminal 15 0x00: Inactive 0x01: Active
40231	230	1	Burner cycle count	Number of burner cycles completed
40232	231	1	Cycle hold timer	countdown to show the expiration of inter-cycle delay
40233	232	1	Flame permissible timer	Countdown to show allowable flame afterburn
40234	233	1	Flame sensor	Flame sensor input identified during the burner sequence: 0x01: UV 0x02: FR
40235	234	1	UV Flame strength	UV Flame strength based raw sensor input
40236	238	1	Reset source	Reset source: 0x00: No reset 0x01: Local reset (button) 0x02: Remote terminal reset 0x03: Modbus reset
40240	239	1	Lockout count	Total system lockout count
40241	240	4	Lockout history 1 (most recent)	BurnerPRO stores the last 10 lockout information. Each lockout history is stored using 4 words: 1st word: Lockout reason code 2nd word: Burner state at time of lockout 3rd word: Burner minutes 4th word: Burner cycles
40245	244	4	Lockout history 2	
40249	248	4	Lockout history 3	
40253	252	4	Lockout history 4	
40257	256	4	Lockout history 5	
40261	260	4	Lockout history 6	
40265	264	4	Lockout history 7	
40269	268	4	Lockout history 8	
40273	272	4	Lockout history 9	
40277	276	4	Lockout history 10	
40290	289	1	PTFI Down counter	PTFI Counter shall indicate the remaining time to complete the PTFI.time to complete the MTFI.
40291	290	1	MTFI Down counter	MTFI Counter shall indicate the remaining time to complete the PTFI.time to complete the MTFI.
40292	291	1	FR Flame strength	FR Flame strength based raw sensor input
40295	294	1	UV Flame strength in percentage	UV Flame strength based on the sensor data in percentage (%)
40296	295	1	FR Flame strength in percentage	FR Flame strength based on the sensor data in percentage (%).

VALVE PROVING

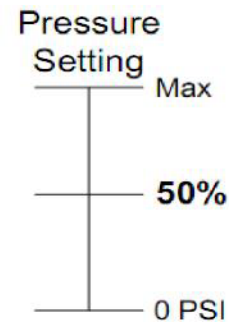
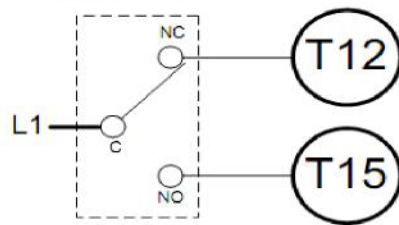
The BurnerPRO offers an intelligent Valve Proving System (VPS). It checks the effective closure of automatic shut-off valves by measuring the pressure differential between two fuel shutoff valves during the test sequence. When active, it will open and close the main safety shutoff valves (double block valve arrangement) in the proper sequence and monitor the pressure in the gas pipe between the two safety shutoff valves (MV1 & MV2).

WARNING: It is the responsibility of the installing and operating personnel to ensure that the valve proving system is properly installed and configured. The appropriate permissible leakage rate information should be used when setting up a valve proving system. Please consult the burner manufacturer and/or applicable codes, ordinances, and regulations.

The gas pressure sensing device, pressure switch, is recommended to be installed between the two shutoff valves. The two common methods of pressure switch setup are described below:

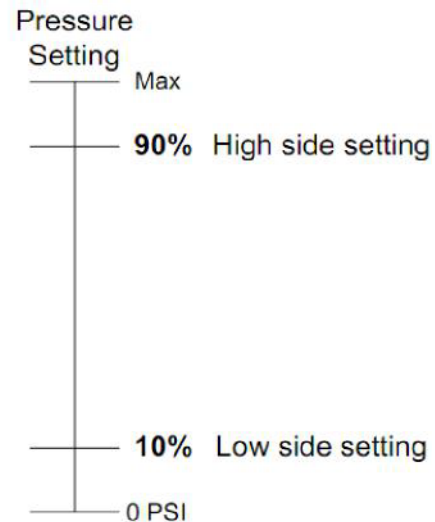
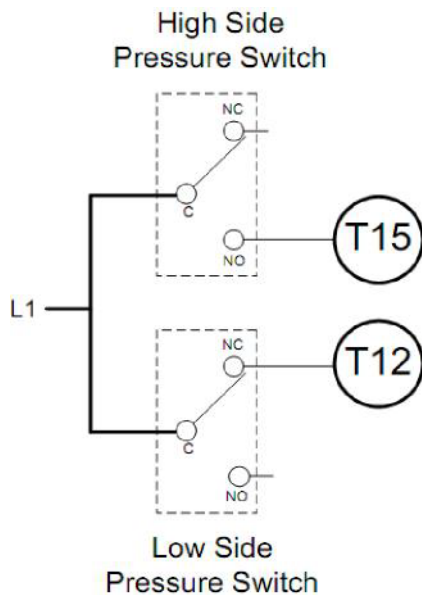
Method 1: A single pressure switch installed between the shutoff valves.

GAS PRESSURE SWITCH



This setup requires that the gas pressure switch be adjusted to $\frac{1}{2}$ the gas train pressure. The rule of operation is quite simple: The pressure switch will "make" (DI2 high) when gas pressure in the test section exceeds the set pressure; it will "break" (DI1 high) when the gas pressure falls below the set pressure.

Method 2: Dual pressure switches installed between the shutoff valves.





This setup requires that the gas pressure switches be adjusted to levels closer to the high and low pressure windows. Thus, allowing for the detection of trace amount of gas leakage and it also reduces the overall TEST times. The rule of operation is similar to the single pressure switch setup: The pressure switch will "make" (T15 high) when gas pressure in the test section exceeds the high side set pressure; it will "break" (T12 high) when the gas pressure falls below the low side set pressure.

Pressure Switch Selection

1. Determine the maximum inlet pressure for the upstream valve.
2. For method 1, divide the inlet pressure by 2 (50%) and select a gas pressure switch that will trip at the halfway point. For adjustable type pressure switches, adjust the setting to the desired trip point.
3. For method 2, determine the trip point for the high and low side pressure. Select pressure switches to satisfy the high and low side pressure settings. For adjustable type pressure switches, adjust the setting to the desired trip point.

Proper hookup of terminal 12 & 15 inputs are required in order to properly operate the valve proving feature. The BurnerPRO is designed to allow valve proving to be performed at the beginning or at the end of a burner cycle. BurnerPRO supports valve proving for 2-valve system, which consist of an upstream and a downstream gas shutoff valves and the test gas is evacuated into the combustion chamber.

During the valve proving operation, the test section of the gas train is pressurized and evacuated in a methodical fashion. During the test sequence, the BurnerPRO allows the test section to be pressurized for 3 seconds and evacuated for 3 seconds. The pressurization or evacuation time cannot be adjusted.

TEST TIMES 1 & 2 are programmed for 30secs. It is possible to make adjustment to the test times, but such adjusted must be made by a qualified personnel.

The wiring for the valve proving system is as follows:

Upstream Shutoff valve (MV1) should be wired to **T18**

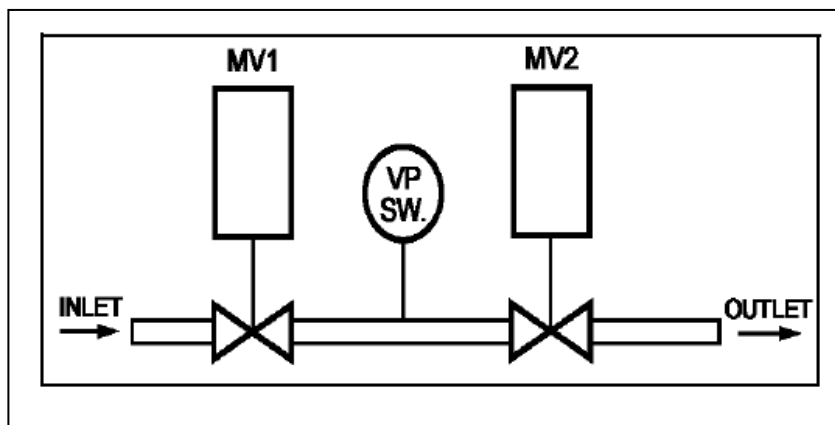
Downstream Shutoff valve (MV2) should be wired to **T19**

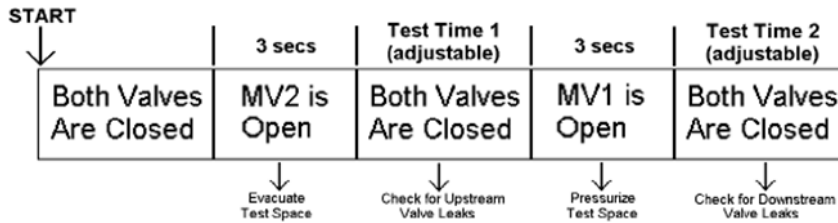
Gas pressure switch NC position should be wired to **T12**

Gas pressure switch NO position should be wired to **T15**

2-Valve system:

Two valves (MV1 and MV2) are cycled to prove that neither gas valve leaks above an acceptable rate using the following method described below:





Proving steps:

1. Both safety shutoff valves are in the closed position at the start of valve proving sequence.
2. The downstream valve (MV2) is energized (open) for 3 seconds. Thus, evacuating the test space.
3. The downstream valve is closed after the evacuation time.
4. The system monitors the pressure switch within the configured TEST TIME 1 window to verify that the upstream valve is not leaking. If the pressure switch is energized (makes) during this window, the system will stop the valve proving test and proceed to lockout. Otherwise, the system will proceed to the next phase of the test.
5. The upstream valve (MV1) is open for 3 seconds. Thus, pressurizing the test space.
6. The upstream valve is closed after the pressurization time.
7. The system monitors the pressure switch within the configured TEST TIME 2 window to verify that the downstream valve is not leaking. If the pressure switch is de-energized (drops out) during this window, the system will stop the valve proving test and proceed to lockout.
8. Upon successful completion of TEST TIME 2, the valve proving test is deemed complete and the Burner-PRO proceeds to start the pre-purge cycle.



CALCULATING VALVE PROVING TEST TIMES

The valve proving test times are expected to be calculated by using the following formula:

$$\text{Test Time} = \frac{\Delta P \times V_P \times C}{P_{\text{ATM}} \times V_{\text{LEAK}}}$$

Where:

Test Time = Duration of proving time (in seconds)

ΔP = Difference between inlet pressure and the switch point of pressure switch
(English -- psi, Metric -- mbar)

V_P = Volume of test section (English -- ft³, Metric -- dm³)

C = Formula constant (3600 sec/hr)

P_{ATM} = Atmospheric pressure (default 14.7 psi or 1013 mbar)

V_{LEAK} = Permissible leak rate for valves (English -- ft³/hr, Metric -- liters/hr)

In many cases, the volume of the test section, V_P , between the gas shutoff valves is specified in the gas train manual. Alternatively, the volume can be calculated by:

V_P = Volume of the test pipe between the valves + volume of the upstream valve outlet cavity + volume of the downstream outlet cavity.



WARNING: It is the responsibility of the installing and operating personnel to ensure that the valve proving system is properly installed and configured. The appropriate permissible leakage rate information should be used when setting up a valve proving system. Please consult the burner manufacture and/or applicable codes, ordinances, and regulations

As specified in EN 1643:2014 standard, a valve proving system must be leak-tight such that:

- No single component of a VPS shall have a leak rate greater than 60 cm³/hr (0.00212 ft³/hr) for non-integrated double block valves.
- No single component of a VPS shall have a leak rate greater than 120 cm³/hr (0.00424 ft³/hr) for integrated or partially integrated double block valves.

As specified in FM 7400 standard, a valve proving system must be leak-tight with a leak rate no greater than 24in³/hr (0.0138 ft³/hr, 393 cm³/hr)

In certain cases, local codes may require the factoring of the burner capacity in order to derive the leak rate. For example, it could be specified that the leakage shall not be greater than 0.01% of burner capacity.

Example of Test Times Calculation:

Assume a valve proving installation with an integrated valve train consisting of total volume of 0.018 ft³, and an inlet pressure of 0.5 psi and a permissible leakage rate of 0.04 ft³/hr for upstream valve and 0.035 ft³/hr for



downstream valve. Assume a single pressure switch is installed and set to trip at 50% of the inlet pressure. Calculate the expected test times for such system.

$$\text{Test Time 1} = \frac{(0.5 - 0.25) \times 0.018 \times 3600}{14.7 \times 0.04} = 27.6 \text{ s}$$

$$\text{Test Time 2} = \frac{(0.5 - 0.25) \times 0.018 \times 3600}{14.7 \times 0.035} = 31.5 \text{ s}$$

For the example above, round up TEST TIME 1 to 30 seconds and TEST TIME 2 to 35 seconds.

LOCKOUTS

When a safety shutdown occurs, the control LEDs indicate the reason for the lockout. The alarm circuit (Terminal “3”) is energized. The non-volatile memory remembers the status of the control even if a power failure occurs. By momentarily depressing and releasing the manual reset button on the control or Terminal 21 remote reset, the control can be reset. The button must be held down for one second and then released. Very little force is required to do this. Do not press hard.

RESETTING THE CONTROL

The BurnerPRO system contains 2 methods of reset: Push button reset and remote terminal reset. The remote reset should be a normally open switch connected from line voltage to terminal 21 (see example wiring diagrams).

- Reset is required following a non-volatile lockout.
- Depressing the push button reset momentarily causes the system to recover from a lockout.
- Depressing and releasing the reset button during run mode causes the control to go into lockout.
- The BurnerPRO limits the amount of remote reset attempts to 5 tries in a 15 minutes window.

BURNERPRO LED ERROR / LOCKOUT CODES

During an alarm condition, the status LED turns solid red. The remaining LEDs are illuminated as a coded sequence identifying the reason for the lockout. The following table shows the various LED Lockout codes:



WARNING: The equipment described in this manual is capable of causing property damage, severe injury, or death. It is the responsibility of the owner or user to ensure that the equipment described is installed, operated and commissioned in compliance with the requirements of all national and local codes.

WARNING!

Boiler operation, maintenance, and troubleshooting shall only be conducted by trained personnel. Persons troubleshooting lockouts or resetting the control must respond properly to troubleshooting error codes as described in this product bulletin.

Jumpers being used to perform static test on the system must only be used in a controlled manner and must be removed prior to the operation of the control. Such tests may verify the external controllers, limits, interlocks, actuators, valves, transformers, motors, and other devices are operating properly. Such tests must be conducted with manual fuel valves in the closed position only. Replace all limits and interlocks not operating properly, and do not bypass limits in interlocks. Failure to follow these guidelines may result in an unsafe condition hazardous to life and property.



NOTICE: Regulation prohibits the system from allowing more than 5 remote reset attempts in a 15-minute window. If 5 reset attempts are made without addressing the lockout, the system will prevent the user from issuing additional remote resets and it will force the user to wait for the balance of 15 minutes. Remote reset operation will be restored after the wait period. It is expected that a qualified personnel assess the lockout condition and apply the proper remedy to address the lockout.



BurnerPRO LED ERROR / LOCKOUT CODES

	OPERATION LED ● = ON	FAN	OPEN DAMPER	CLOSED DAMPER	AUTO	IGNITION	FLAME	STATUS
	ICON							
1	MODBUS RESET	●						RED
2	LOCAL RESET		●					RED
3	CAB_FAULT	●	●					RED
4	SUPERVISORY MCU INPUT DIAG FAULT			●				RED
5	FLAME ROD FLAME LOSS MTFI	●		●				RED
6	FLAME ROD CIRCUIT FAIL		●	●				RED
7	SPI COMMUNICATION FAULT	●	●	●				RED
8	REMOTE RESET				●			RED
9	FLAME ROD DECISION MISMATCH	●			●			RED
10	MAIN PROGRAM SEQ FAULT		●		●			RED
11	RAM TEST	●	●		●			RED
12	VALVE PROVE SWITCH FAILURE			●	●			RED
13	INPUT READING FAULT	●		●	●			RED
14	TIMER2 FAULT		●	●	●			RED
15	CPU TEST FAIL	●	●	●	●			RED
16	FLAME LOSS PTFI	●				●		RED
17	CHECK WIRING FAULT		●			●		RED
18	SAFETY RELAY FAULT	●	●			●		RED
19	FUEL VALVE OPEN FAULT			●		●		RED
20	FLAME LOSS MTFI	●		●		●		RED
21	SAFETY RELAY WELDING FAULT		●	●		●		RED
22	SUPV SELF-TEST	●	●	●		●		RED
23	SUPV CS ROM FAIL				●	●		RED
24	FLAME LOSS AUTO	●			●	●		RED
25	SUPV RAM CHECK FAIL		●		●	●		RED
26	EEPROM FAILURE	●	●		●	●		RED
27	MAIN MCU SPI COMMUNICATION FAIL			●	●	●		GREEN
28	RECYCLE LIMIT OPEN	●		●	●	●		RED
29	SUPV TEMP RANGE FAULT		●	●	●	●		RED
30	ROM FAILURE	●	●	●	●	●		RED
31	TIMER4 FAULT						●	RED
32	CHECK MODE TIMEOUT	●					●	RED



33	STANDBY FALSE FLAME		●				●	RED
34	LGP SWITCH ACTIVE	●	●				●	RED
35	SW WDT RESET			●			●	RED
36	FR_SELF_CHECK_NOT_PERFORMED	●		●			●	RED
37	INPUTS WAITING TIME FAULT		●	●			●	RED
38	VALVE PROVE TEST TIME 1 FAIL	●	●	●			●	RED
39	VALVE PROVE TEST TIME 2 FAIL				●		●	RED
40	HARDWARE RESET	●			●		●	RED
41	POC_LIVE_IN_AUTO_FAULT		●		●		●	RED
42	MAIN LOOP STUCK FAULT	●	●		●		●	RED
43	SUPV LOOP STUCK FAULT			●	●		●	RED
44	SUPV TIMER2 FAULT	●		●	●		●	RED
45	MAIN AC PEAK MISSING FAULT		●	●	●		●	RED
46	SUPV AC PEAK MISSING FAULT	●	●	●	●		●	RED
47	UV PULSE INPUT MISMATCH					●	●	RED
48	SUPERVISORY MCU ADC FAULT	●				●	●	RED
49	MAIN MCU ADC FAULT		●			●	●	RED
50	IGNITION FEEDBACK FAULT	●	●			●	●	RED
51	PILOT FEEDBACK FAULT			●		●	●	RED
52	MAINP FEEDBACK FAULT	●		●		●	●	RED
53	FEEDBACK WAITING TIME EXPIRE		●	●		●	●	RED
54	MAIND FEEDBACK FAULT	●	●	●		●	●	RED
55	INTERRUPT DIAG FAULT				●	●	●	RED
56	UV FALSE FLAME ERROR			●	●	●	●	RED
57	FR FALSE FLAME ERROR	●		●	●	●	●	RED
58	OPEN FEEDBACK READING FAULT		●	●	●	●	●	RED
59	ADJACENT PIN SHORT FAULT	●			●	●	●	RED
60	LOCAL RESET DEBOUNCE FAULT	●	●	●	●	●	●	RED
61	POC OPEN FAULT		●		●	●	●	RED
62	STRONG UV FLAME FAULT	●	●		●	●	●	RED
63	SPI CRC FAULT					●		RED

The table above shows the various required LED error/lockout codes displayed on the BurnerPRO after a fault or error has occurred.



Table 9: LOCKOUT CODE EXPLANATION:

NO	FAULT	POSSIBLE REMEDY
1	MODBUS RESET	Lockout issued via Modbus command. Reset control via modbus, terminal or local reset button.
2	LOCAL RESET	User initiated manual reset or faulty reset switch.
3	CAB FAULT	Air Prove [terminal 14] signal did not prove at the end of ignition safety time or loss of Air Prove signal during burner operation
4	SUPERVISORY MCU INPUT DIAG FAULT	"System detected voltage on terminal 16, 17, 18, or 19 at the wrong time or voltage is not present when needed. Check wiring and make sure the system is operating on a single line phase (50/60Hz)"
5	FLAME ROD FLAME LOSS MTFI	Flame loss at Main Trial For Ignition. Inspect system, check gas pressure, check scanner, check wiring, etc.
6	FLAME ROD CIRCUIT FAIL	Replace control. Contact distributor/factory.
7	SPI COMMUNICATION FAULT	Reset the system to continue normal operation. Contact distributor/factory if error persists.
8	REMOTE RESET	User pressed remote reset or erratic/bouncy remote switch.
9	FLAME ROD DECISION MISMATCH	Replace control. Contact distributor/factory.
10	MAIN PROGRAM SEQ FAULT	Replace control. Contact distributor/factory.
11	RAM TEST	Replace control. Contact distributor/factory.
12	VALVE PROVE SWITCH FAILURE	Inspect wiring and/or pressure switch.
13	INPUT READING FAULT	Please check wiring and make sure the system is operating on a single line phase (50/60Hz)
14	TIMER2 FAULT	Replace control. Contact distributor/factory.
15	CPU TEST FAIL	Replace control. Contact distributor/factory.
16	FLAME LOSS PTFI	Check scanner sighting and confirm that the pilot is established during PTFI. Check fuel delivery system.
17	CHECK WIRING FAULT	"System detected voltage on terminal 16, 17, 18, or 19 at the wrong time or voltage is not present when needed. Check wiring and make sure the system is operating on a single line phase (50/60Hz)"
18	SAFETY RELAY FAULT	Replace control. Contact distributor/factory.
19	FUEL VALVE OPEN FAULT	Check wiring for POC. Fuel valves may not be fully closed.
20	FLAME LOSS MTFI	Check scanner sighting and confirm that the main flame is established during MTFI. Check fuel delivery system.
21	SAFETY RELAY WELDING FAULT	Replace control. Contact distributor/factory.
22	SUPV SELF-TEST	Replace control. Contact distributor/factory.
23	SUPV CS ROM FAIL	Replace control. Contact distributor/factory.
24	FLAME LOSS AUTO	Check wiring. Check scanner. Check fuel delivery system
25	SUPV RAM CHECK FAIL	Replace control. Contact distributor/factory.
26	EEPROM FAILURE	Replace control. Contact distributor/factory.
27	MAIN MCU SPI COMMUNICATION FAIL	Reset the system to continue normal operation. Contact distributor/factory if error persists.
28	RECYCLE LIMIT OPEN	End of burner cycle.
29	SUPV TEMP RANGE FAULT	Ambient temperature below -40oC or more than 70oC
30	ROM FAILURE	Replace control. Contact distributor/factory.
31	TIMER4 FAULT	Replace control. Contact distributor/factory.
32	CHECK MODE TIMEOUT	Check mode expiration window (30 minutes) elapsed.
33	STANDBY FALSE FLAME	False flame detected during Standby state. Check wiring. Check scanner.
34	LGP SWITCH ACTIVE	LGP Switch is active
35	SW WDT RESET	Internal software reset by Microcontroller. Contact distributor/factory if error persists.
36	FR SELF CHECK NOT PERFORMED	Internal software reset by Microcontroller. Contact distributor/factory if error persists.



NO	FAULT	POSSIBLE REMEDY
37	INPUTS WAITING TIME FAULT	System was unable to satisfy combustion air switch test and/or proof of closure during a burner sequence. Check wiring. Check air-flow switch.
38	SUPV SW WDT RESET	Internal software reset by Microcontroller. Contact distributor/factory if error persists.
39	SUPV SW RESET	Internal software reset by Microcontroller. Contact distributor/factory if error persists.
40	HARDWARE RESET	Replace control. Contact distributor/factory if error persists.
41	POC LIVE IN AUTO FAULT	System has detected voltage on Terminal 12 and Modbus configuration is set to generate error when POC Terminal 12 is present in AUTO.
42	MAIN LOOP STUCK FAULT	Replace control. Contact distributor/factory.
43	SUPV LOOP STUCK FAULT	Replace control. Contact distributor/factory.
44	SUPV TIMER2 FAULT	Replace control. Contact distributor/factory.
45	MAIN AC PEAK MISSING FAULT	Check Mains voltage. Contact distributor/factory.
46	SUPV AC PEAK MISSING FAULT	Check Mains voltage. Contact distributor/factory.
47	UV PULSE INPUT MISMATCH	Replace control. Contact distributor/factory.
48	SUPERVISORY MCU ADC FAULT	Replace control. Contact distributor/factory.
49	MAIN MCU ADC FAULT	Replace control. Contact distributor/factory.
50	IGNITION FEEDBACK FAULT	System detected voltage on terminal 16 at the wrong time or voltage is not present when needed. Check wiring and make sure grounding is adequate.
51	PILOT FEEDBACK FAULT	System detected voltage on terminal 17 at the wrong time or voltage is not present when needed. Check wiring and make sure grounding is adequate.
52	MAINP FEEDBACK FAULT	System detected voltage on terminal 19 at the wrong time or voltage is not present when needed. Check wiring and make sure grounding is adequate.
53	FEEDBACK WAITING TIME EXPIRE	Loss of actuator feedback for more than 10 minutes. Check wiring. Check modulation equipment.
54	MAIND FEEDBACK FAULT	System detected voltage on terminal 18 at the wrong time or voltage is not present when needed. Check wiring and make sure grounding is adequate.
55	INTERRUPT DIAG FAULT	Replace control. Contact distributor/factory.
56	UV FALSE FLAME ERROR	False flame detected before Ignition. Check wiring. Check scanner. Make sure grounding is adequate.
57	FR FALSE FLAME ERROR	False flame detected before Ignition. Check wiring. Check scanner. Make sure grounding is adequate.
58	OPEN FEEDBACK READING FAULT	System detected voltage on terminal 8 at the wrong time or voltage is not present when needed. Check wiring and make sure grounding is adequate.
59	ADJACENT PIN SHORT FAULT	Replace control. Contact distributor/factory.
60	LOCAL RESET DEBOUNCE FAULT	Local reset button held for more than 10 seconds or reset button is stuck.
61	POC OPEN FAULT	Fuel valve is open at the wrong time OR check wiring
62	STRONG UV FLAME FAULT	Scanner too close to flame. Add distance between scanner and flame OR use orifice to reduce field of view.
63	SPI CRC FAULT	Replace control. Contact distributor/factory

The above list provides error code explanations to help people in the field respond more effectively to issues that arise.



NOTICE

When Fireeye products are combined with equipment manufactured by others and/or integrated into systems designed or manufactured by others, the Fireeye warranty, as stated in its General Terms and Conditions of Sale, pertains only to the Fireeye products and not to any other equipment or to the combined system or its overall performance.

WARRANTIES

FIREYE guarantees for *one year from the date of installation or 18 months from date of manufacture* of its products to replace, or, at its option, to repair any product or part thereof (except lamps and photocells) which is found defective in material or workmanship or which otherwise fails to conform to the description of the product on the face of its sales order. **THE FOREGOING IS IN LIEU OF ALL OTHER WARRANTIES AND FIREYE MAKES NO WARRANTY OF MERCHANTABILITY OR ANY OTHER WARRANTY, EXPRESS OR IMPLIED.** Except as specifically stated in these general terms and conditions of sale, remedies with respect to any product or part number manufactured or sold by Fireeye shall be limited exclusively to the right to replacement or repair as above provided. In no event shall Fireeye be liable for consequential or special damages of any nature that may arise in connection with such product or part.

FIREYE, Inc.
3 Manchester Road
Derry, New Hampshire 03038 USA
Fireeye.com

BP-1003
March 27, 2023
Supersedes February 4, 2021