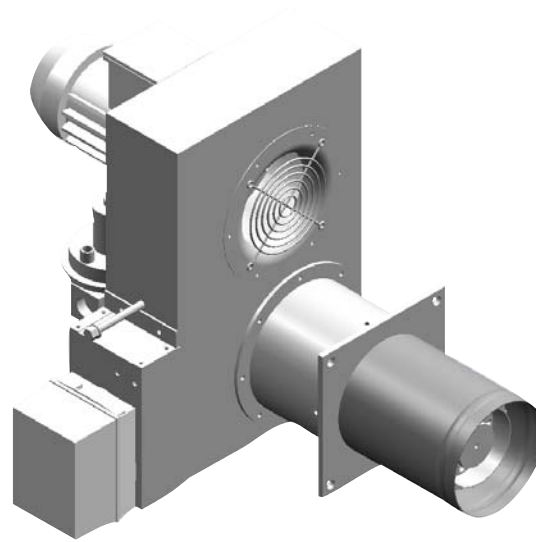


INDIPAK

Gas burners

Maxon INDIPAK burners are nozzle-mix gas burners suitable for indirect fired applications and selected direct air heating applications.



- Compact packaged design
- On-ratio turndown up to 6:1
- Over-all turndown up to 26:1
- Capacities up to 850 kW
- Low emissions (below TA-Luft levels)
- Simple installation and reliable operation requirements
- Gas pressure regulator included
- Low maintenance requirements and easy adjustment
- Control motor included (230 V/50 Hz)
- Observation port included

Principle of operation

The INDIPAK is a nozzle-mix burner designed for industrial indirect heating applications. This burner is equipped with an integral blower. It also incorporates the gas and air control valves which are linked via a cam to precisely control gas-air ratio for stoichiometric combustion over a part of the wide turn-down range.

Options

- Combustion air filter assemblies
- Combustion air pressure switch
- Ignition transformer
- Limit switches on gas and air valves
- Customer specific control motor

Applications

The INDIPAK burner is especially designed for indirect heating applications, like indirect air heaters.

