

# Wide Measuring Range Communication Easy Reading

## TD8

### Rotary piston volumetric type water meter

- ▶ Very large measuring range
- ▶ Pre-equipped for communication
- ▶ Very low starting flow



TD8 is a piston type meter with extra dry register for residential and commercial & industrial applications.

#### The Technology

TD8 combines the advantages of piston type technology together with proven reliability of the extra dry register. No gears in contact with water.

The smooth piston chamber ensures long term accuracy. The irreversible meter cap mounting makes it totally tamperproof without the use of lead seals.

#### Standard Compliance

- OIML/NSC R49-1 class 2 in all positions
- EEC/ISO 4064 class C in all positions
- AS 3565.1
- AS 3565.3 (dual check valve versions)
- AS 2845.1 (dual check valve versions)

#### Measuring Range

- Very low starting flow allows leakage detection
- Very large measuring range with Q3/Q1 Ratio = 630 (DN15) or 250 (DN20 to DN32)

#### Easy Reading

TD8 extra dry register offers the following benefits:

- Rotation close to 360° on site
- Large numbered rollers with good contrast for excellent reading capability
- Wiper ensures readability of the extra-dry register in tough humid conditions
- Leakage detector dial on meter can be used to easily identify leaks at a glance
- Case protection: IP 68

#### Communication Device

Pre-equipped for future communication through patented Cyble technology.

## Working Principle

The TD8 has two main components; the hydraulics that allows measurement of the water flow and the register that displays the measured water volume.

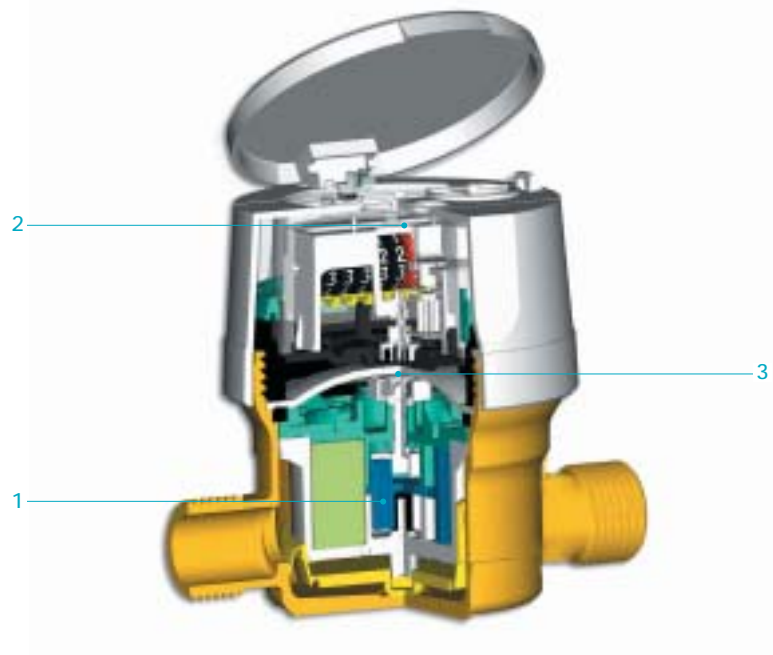
TD8 is a piston type volumetric meter **1**

Each rotation of the piston in the measuring chamber represents a given volume of water passing through.

The magnetic coupling transmission, standard on the TD8 line, is accompanied by an extra-dry register **2**

Both gears and the register are in a waterproof and air tight enclosure.

Transmission interface between those components is achieved by a magnetic coupling **3**



► Cyble RF fitted on TD8 DN20 with specific lid

## Communication

The TD8 is supplied pre-equipped with Cyble Target

Allows communication and remote reading through:

- Radio frequency wireless link (Cyble RF)
- Pulse output (Cyble Sensor)
- M-Bus protocol (Cyble M-Bus)

- Actaris standardized meter interface, irrespective of meter technology and widely spread on Actaris water meters range
- Reliability brought by electronic switch (no wear or bouncing)
- Reverse flow management
- Principle proven in the field for many years
- Cyble technology being immune to magnetic tampering

### Key Advantages of Cyble Technology

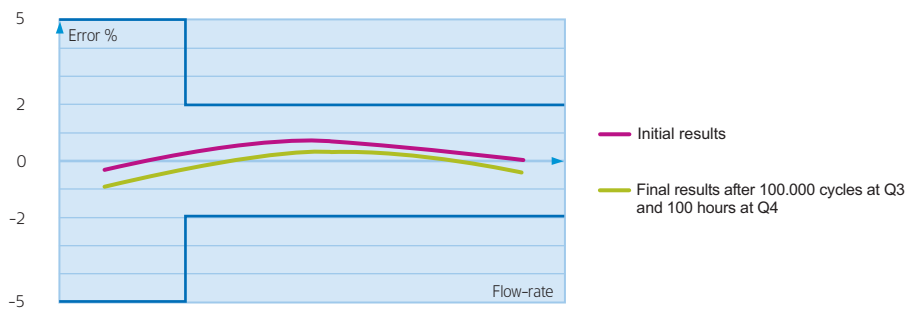
- No need for additional investment on the meter to implement remote reading

## Metrological Characteristics

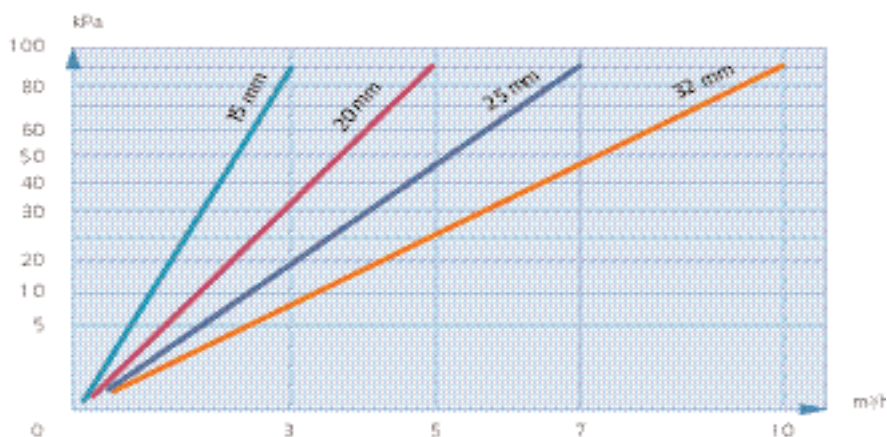
Nominal diameter (DN)	mm	15	20	25	32	
ISO 4064 metrology class		Class C all positions				
NSC R49-1 approval		14/3/3				
E.E.C. approval		F-02-G-070				
Maximum admissible temperature	°C	30*				
Maximum temperature for short period	°C	50				
Maximum admissible pressure	kPa	1600		1200		
Testing pressure	kPa	2500				
Pressure loss P (Q4)	kPa	<100				
Flow rate ratio	Q3/Q1	630	250	250	250	
Overload flow rate	Q4	m <sup>3</sup> /h	3.125	5	7.875	12.5
Permanent flow rate	Q3	m <sup>3</sup> /h	2.5	4	6.3	10
Transitional flow rate	Q2	l/h	16	26	40	64
Minimum flow rate	Q1	l/h	4	16	25	40
Starting flow rate		l/h	1	2	6	11
Indication range	m <sup>3</sup>	10 <sup>4**</sup>		10 <sup>5</sup>		
Minimum scale interval	l	0.05		0.5		
Communication pre-equipment		Cyble Technology				

\* Also available with maximum admissible temperature of 90 °C - \*\* Exists also with 10<sup>5</sup> indicator range

## Endurance Curve

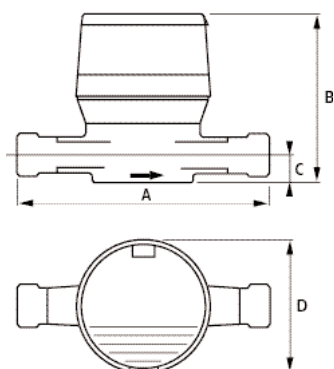


## Head Loss

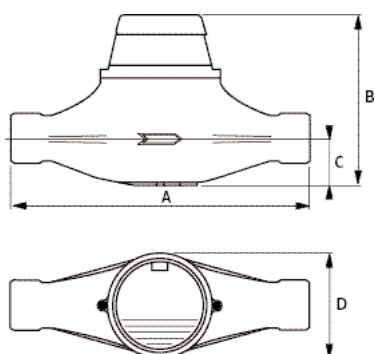


► TD8 indicator

► DN 15-20



► DN 25-32



## Dimensions

Nominal diameter (DN)	m m	15	20	25	32
Meter thread	inches	G 3/4"	G 1"	G 1" 1/4	G 1" 1/2
	mm	20x27	26x34	33x42	40x49
A	mm	105	190*	175x178	200
B	mm	116	143	156	156
C	mm	18	20	44	44
D	mm	88	88	10	110
Weight	kg	1.2	1.54	3.1	3.8

\* Other available lengths 105, 140, 152, 154, 165 mm

## Options (none exhaustive list)

TD8 meters may be fitted with:

- Very low head loss version of dual check valve compliant with Australian standards
- Color coded body for waste water application
- Removable 316 stainless steel filter inserted in the inlet
- Anti-frost device
- Hot water version

**Actaris Pty. Ltd.**  
8 Rosberg Road  
Wingfield, Adelaide 5013  
South Australia  
Australia  
tel +61 8 8359 0444  
fax +61 8 8359 1441

**PT. Mecoido**  
Plot 6B-2  
East Jakarta Industrial Park (EJIP)  
Lemah Abang, Bekasi 17550  
Indonesia  
tel +62 21 897 0270  
fax +62 21 897 0271

**Metertek Sdn. Bhd.**  
No. 4, Jalan Sejahtera 25/124, Section 25,  
Axis Premier Industrial Park,  
40400 Shah Alam, Selangor Darul Ehsan,  
Malaysia  
tel +60 3 5121 2833  
fax +60 3 5121 2849

**Actaris China**  
RM 702, Lido Office Tower  
Lido Place Jichang Road  
Chaoyang District, Beijing 100004  
People's Republic of China  
tel +86 10 6430 1186  
fax +86 10 6437 6905

**Actaris Singapore Pte. Ltd.**  
12, Lorong Bakar Batu,  
#06-11  
Singapore 348745  
Singapore  
tel +65 6 848 7955  
fax +65 6 746 2145

**Actaris India**  
4th Fl, The Capital Court  
LSC Phase III, Olof Palme Marg  
Munirka, New Dehli 110067  
India  
tel +91 11 2610 6711  
fax +91 11 2610 5977