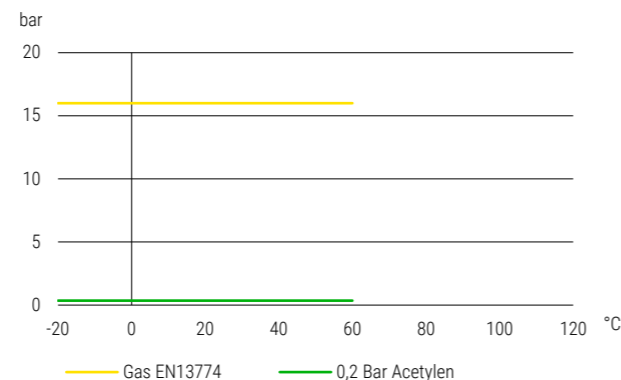



KSN75F | Hebelgriff | FI/FI | Kugel Edelstahl DVGW Gas PN 16
KSN75F | Lever handle | FI/FI | Ball stainless steel DVGW natural gas PN 16

Druck-Temperatur-Diagramm pressure-temperature-diagram

Konstruktionsmerkmale Kugelhahn

- Schwimmende Kugel
- Ausblussichere Schaltwelle
- Wartungsfrei
- Gekammerte Dichtung
- Montageflansch nach DIN ISO 5211
- Silikonfrei
- Fire Safe Design
- Voller Durchgang
- Zweiteiliges Gehäuse verschraubt

Standardtemperaturbereich

- 20°C bis + 60°C (abhängig vom Betriebsdruck)
 Siehe Druck-Temperaturdiagramm

Zulassungstext

DVGW Gas Zulassung PN16 nach DIN EN 13774, HTB geprüft nach DIN EN 1775:2007 MOP16 C16 DN25 bis DN100, HTB geprüft nach DIN EN 1775:2007 MOP16 C5 DN125 bis DN150, DVGW Zulassung nach Gasgeräteverordnung GAR EU-2016-426, Einstufung nach PED Kategorie 3 PED 2014-68-EU, TA-Luft Zulassung nach DIN EN ISO 15848, LABS konform nach VDMA 24364

Verwendung

Acetylen, Argon, Gase nach G260, Tyfocor

Design features ball valve

- Floating ball
- Blow out proved stem design
- Maintenance-free
- 3 side guided ball seals
- Mounting pad acc. to DIN ISO 5211
- Free of silicon
- Fire Safe Design
- Full port
- Two-piece body screwed design

Standard temperature range

- 20°C to + 60°C (depending on working pressure)
 Take a look at the pressure-temperature-diagram

Approval text

DVGW gas approval PN16 acc. to DIN EN 13774, HTB certified acc. to DIN EN 1775:2007 MOP16 C16 DN25 to DN100, HTB certified acc. to DIN EN 1775:2007 MOP16 C5 DN125 to DN150, DVGW-approval acc. to gas appliance regulation GAR EU-2016-426, Classification acc. to PED category 3 PED 2014-68-EU, TA-Air approval acc. to DIN EN ISO 15848, LABS conformity acc. to VDMA 24364

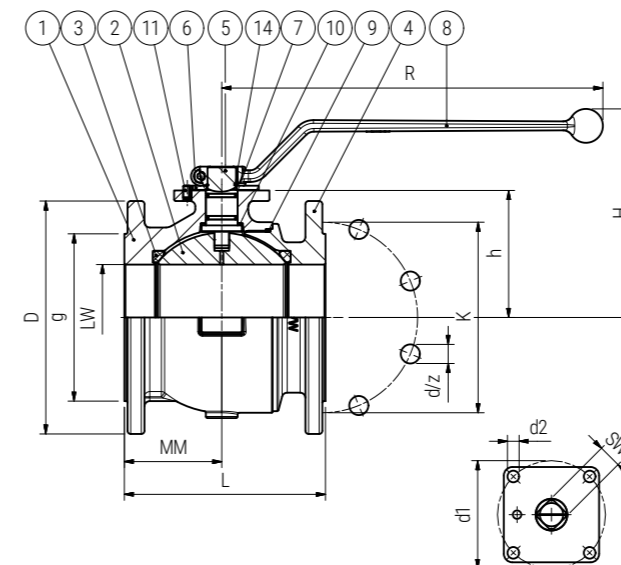
Suitable for

Acetylen, Argon, Gases acc. to G260, Tyfocor

BESTELBEISPIEL: Flansch-Kugelhahn mit Edelstahlkugel DN65 = KSN75F-DN65 Artikel-Nr. 00V41150
ORDERING EXAMPLE: Flange ball valve with stainless steel ball DN65 = KSN75F-DN65 item number 00V41150

Datentabelle data table

| DN | LW | PN | L | MM | R | H | h | D | K | g | z | d | SW1 | M | d1 | d2 | Gewicht Weight | Artikel-Nr. Item number |
|------|------|-------|------|------|------|-------|-------|------|------|------|------|------|------|------|------|------|-------------------|----------------------------|
| (mm) | (mm) | (bar) | (mm) | (mm) | (mm) | (mm) | (mm) | (mm) | (mm) | (mm) | (mm) | (mm) | (mm) | (mm) | (mm) | (mm) | (kg) | |
| 25 | 25 | 16 | 125 | 62,5 | 165 | 111,5 | 60 | 115 | 85 | 68 | 4 | 14 | 11 | F05 | 50 | 6,6 | 3,300 | 00V41030 |
| 32 | 32 | 16 | 130 | 65 | 165 | 122,5 | 71 | 140 | 100 | 78 | 4 | 18 | 11 | F05 | 50 | 6,6 | 4,500 | 00V41060 |
| 40 | 40 | 16 | 140 | 70 | 185 | 134 | 77 | 150 | 110 | 88 | 4 | 18 | 14 | F05 | 50 | 6,6 | 5,700 | 00V41090 |
| 50 | 50 | 16 | 150 | 75 | 185 | 142 | 85 | 165 | 125 | 102 | 4 | 18 | 14 | F05 | 50 | 6,6 | 7,600 | 00V41120 |
| 65 | 65 | 16 | 170 | 85 | 230 | 154,5 | 95 | 185 | 145 | 122 | 4 | 18 | 17 | F07 | 70 | 9 | 12,200 | 00V41150 |
| 80 | 80 | 16 | 180 | 90,5 | 360 | 180,5 | 103,5 | 200 | 160 | 136 | 8 | 18 | 22 | F07 | 70 | 9 | 15,500 | 00V41180 |
| 100 | 100 | 16 | 190 | 92 | 360 | 197 | 120 | 220 | 180 | 158 | 8 | 18 | 22 | F10 | 102 | 11 | 22,600 | 00V41210 |
| 125 | 125 | 16 | 200 | 98 | 360 | 216 | 139 | 250 | 210 | 188 | 8 | 18 | 22 | F10 | 102 | 11 | 30,400 | 00V41230 |
| 150 | 142 | 16 | 210 | 100 | 556 | 236 | 158 | 285 | 240 | 212 | 8 | 22 | 27 | F10 | 102 | 11 | 40,000 | 00V41260 |

Maßskizze measured sketch

Materialtabelle materials grid

| Nr. No. | Bezeichnung Description | Werkstoff Material | Materialbezeichnung Material description |
|------------|-------------------------------------|---------------------------------------|---|
| 1 | Gehäuse Body | Sphäroguss Nodular cast iron | 5.3103 |
| 2 | Kugel Ball | Edelstahl Stainless steel | 1.4404 |
| 3 | Kugeldichtung Ball seal | PTFE PTFE | - |
| 4 | Flansch / Nippel Flange / nipple | Sphäroguss Nodular cast iron | 5.3103 |
| 5 | Schaltwelle Stem | Edelstahl Stainless steel | 1.4104 |
| 6 | Anschlagscheibe Stop plate | Stahl verzinkt Steel (zinc-plated) | - |
| 7 | Spindeldichtung Spindle seal | FKM FKM | - |
| 8 | Griff Handle | Aluminium Aluminium | - |
| 9 | Gehäusedichtung Body seal | FKM FKM | - |
| 10 | Anlauftring Thrust washer | Polyamid Polyamide | - |
| 11 | Anschlagstift Stop pin | Stahl verzinkt Steel (zinc-plated) | - |
| 14 | Federring Clip ring | Federstahl Spring steel | 1.4310 |

Losbrechmomente breakaway torque

| DN (mm) | PN0 (Nm) | PN7 (Nm) | PN16 (Nm) |
|------------|-------------|-------------|--------------|
| 25 | 8 | 8 | 8 |
| 32 | 16 | 16 | 16 |
| 40 | 18 | 18 | 18 |
| 50 | 25 | 25 | 25 |
| 65 | 50 | 50 | 50 |
| 80 | 80 | 80 | 90 |
| 100 | 90 | 90 | 100 |
| 125 | 100 | 100 | 120 |
| 150 | 160 | 170 | 200 |