


Eclipse RatioMatic

Burners

Model RM1000

Version 5

Parameter	Specification	
	Chamber Pressure "w.c. (mbar)	60 Hz Packaged Blower
Blower Type		
Maximum Input, Btu/h (kW)¹	-5.0 (-12.5)	12,500,000 (3664)
<i>Contact factory for chamber pressures outside the given range, or varying chamber pressure conditions.</i>	-3.0 (-7.5)	11,600,000 (3400)
	-1.0 (-2.5)	10,500,000 (3107)
	0 (0.0)	10,000,000 (2931)
	1.0 (2.5)	9,400,000 (2755)
	2.0 (5.0)	8,800,000 (2579)
Minimum Input On-Ratio, Btu/h (kW) <i>Lower inputs may be achieved. Contact factory.</i>	100,000 (29.3)	
Maximum Chamber Temperature °F (°C)	Burner with alloy tube	1500°F (815°C)
	Burner with refractory block	1900°F (1038°C)
Main Gas Inlet Pressure, "w.c. (mbar)² <i>Fuel pressure at ratio regulator inlet</i>	14 to 55 (35 to 138)	
Pilot Gas Pressure at the Pilot Cock Inlet	Minimum: 6" w.c. (15 mbar)	
High Fire Flame Length, inches (mm) <i>Measured from the outlet end of the combustor</i>	124" (3.15 m) Measured from the end of the firing tube	
Pilot	Integral spark-ignited pilot	
Flame Detection	UV scanner only.	
Fuel³ <i>For any other mixed gas, contact Eclipse, Inc.</i>	Standard nozzles burn natural gas, propane, propane/air mixes without changing internals.	
Blower Motor Power, Hp	7.5	
Weights, lbs (kg)⁴	Alloy Tube	807 (366)
	Refractory	1124 (510)
Approvals		

¹ Maximum inputs for packaged blower versions are given for the standard combustion air blower without an inlet air filter.

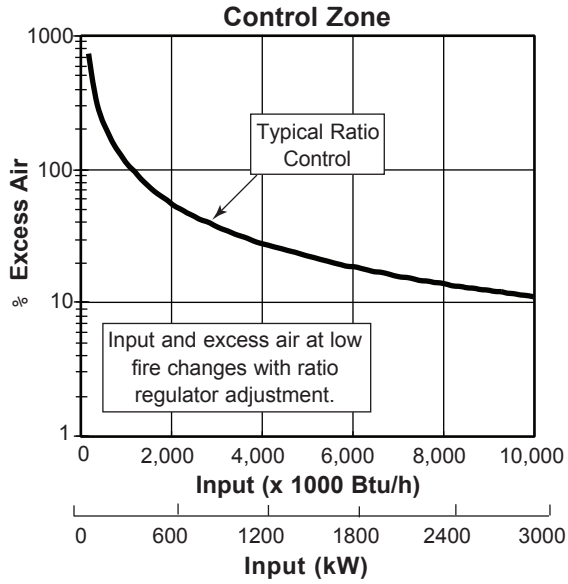
² For proper performance, this pressure must be kept constant across the burner operating range.

³ See Design Guide 110 for more information about typical fuel composition and properties.

⁴ All weights are approximate.

- All information is based on laboratory testing. Different chamber conditions will affect the data.
- All inputs based upon gross calorific values and standard conditions; 1 atmosphere, 70°F (21°C).
- Eclipse reserves the right to change the construction and/or configuration of our products at any time without being obliged to adjust earlier supplies accordingly.

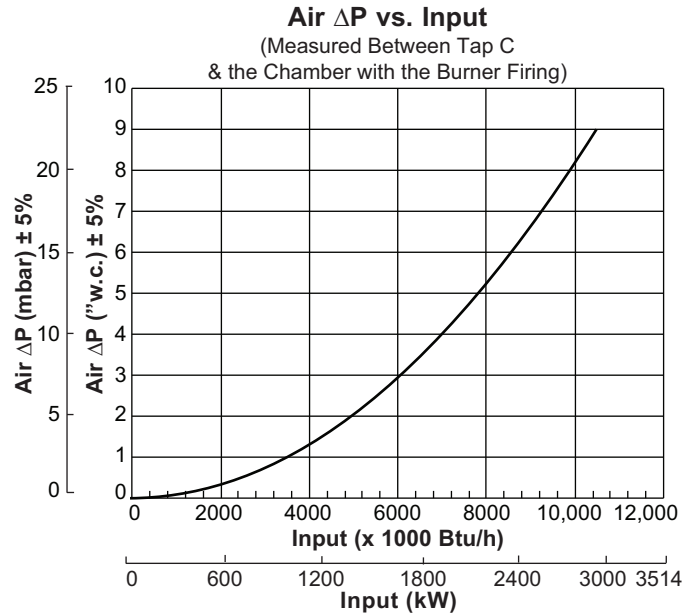
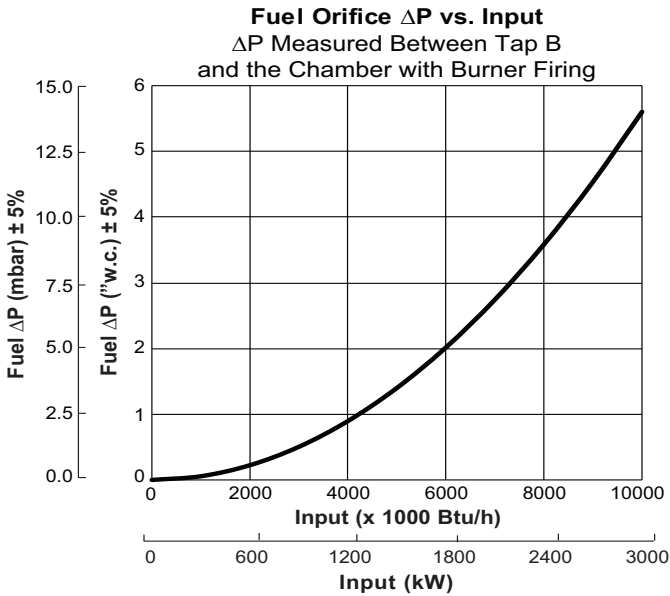
Performance Graphs



Emissions from the burner are influenced by:

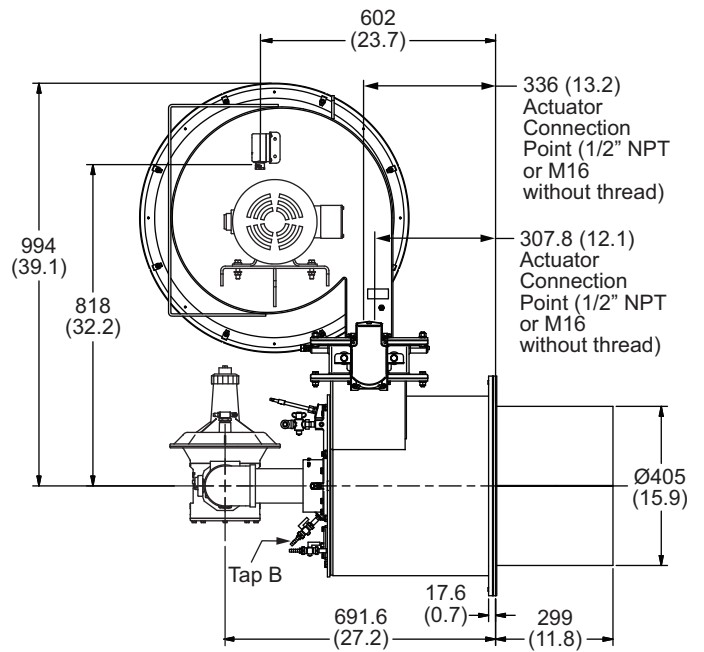
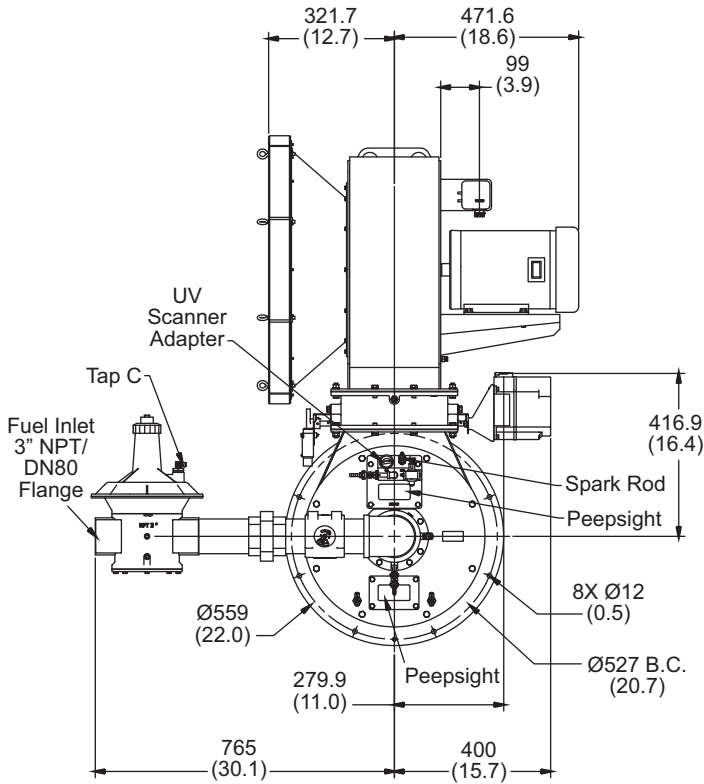
- Chamber conditions
- Fuel type
- Firing rate
- Ratio regulator adjustment
- Combustion air temperature

CO emission is largely influenced by chamber conditions. Contact your local Eclipse representative for an estimate of CO emission on your application.

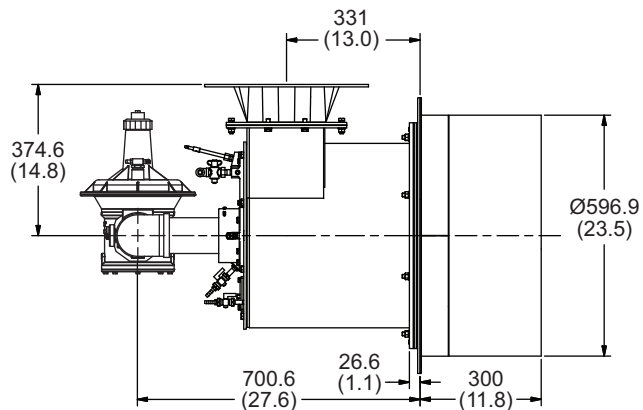
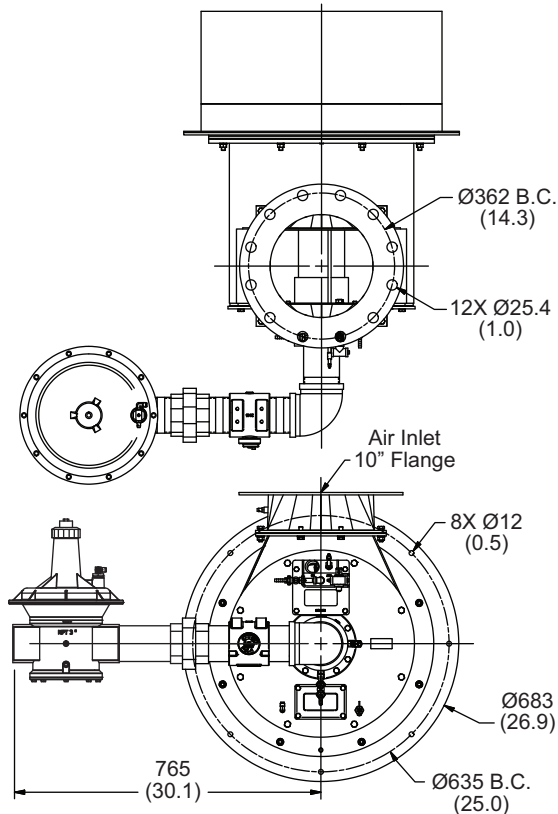


Dimensions and Specifications

Dimensions in mm (in)

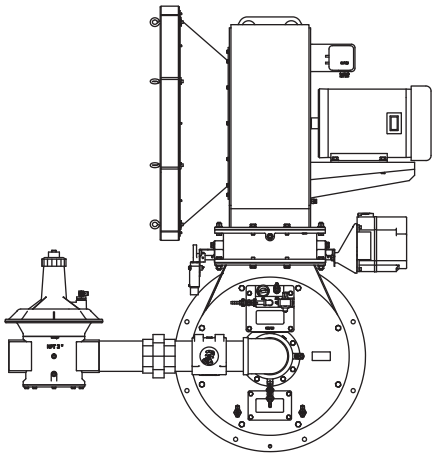


Shown with Alloy Combustor

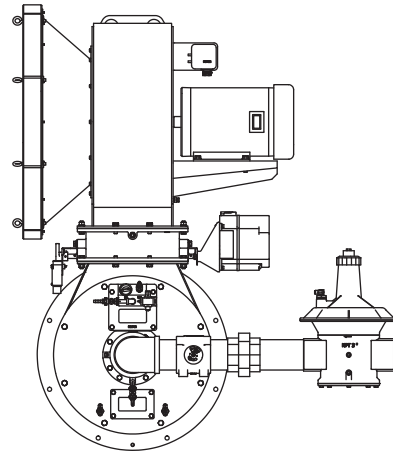


Shown with Block and Holder

Burner Configuration



Left Hand Piping



Right Hand Piping