


# Eclipse ImmersoPak

## Burners

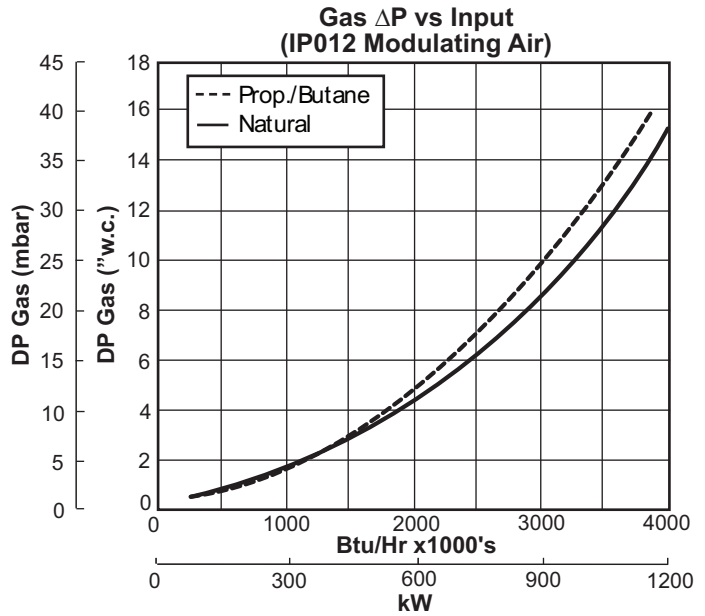
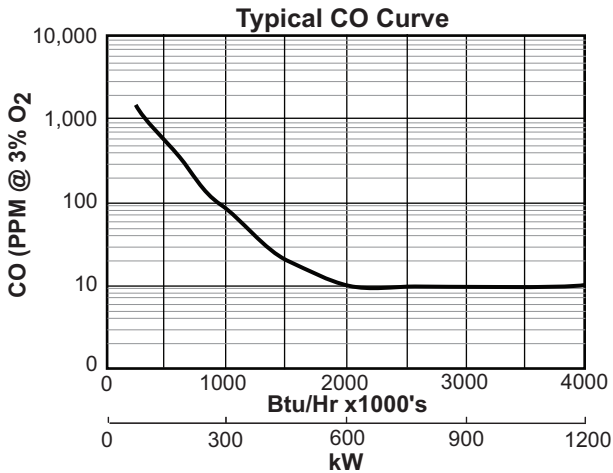
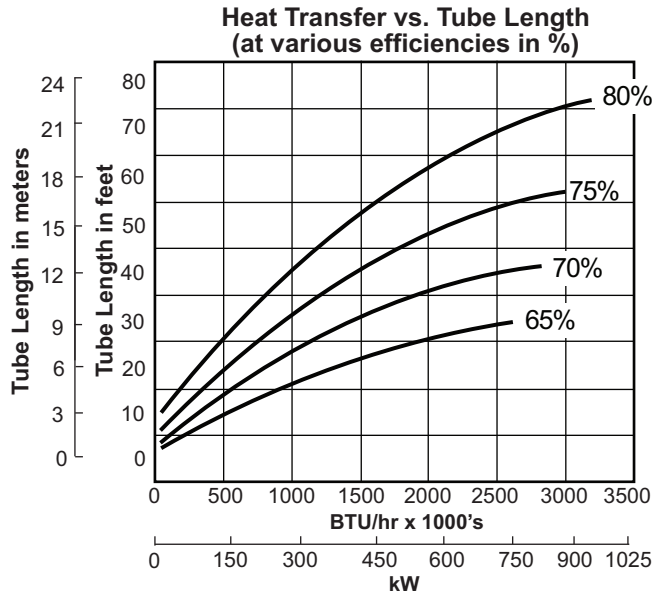
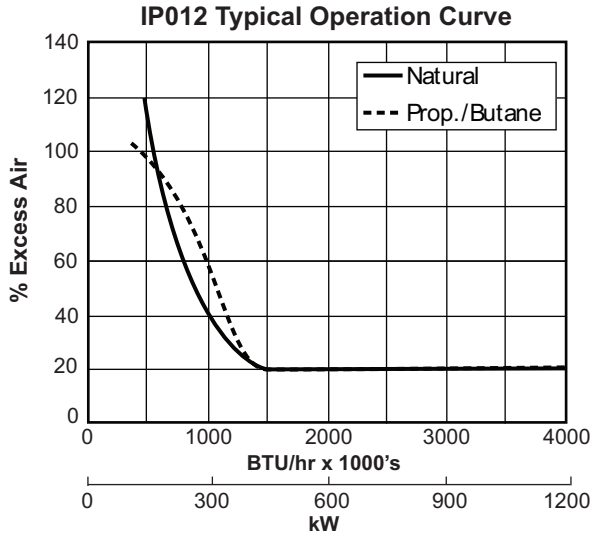
Series IP012

Version 2

Parameter	Modulating Air (Control Option 2)		
	Natural Gas	Propane	Butane
High Fire kBtu/hr (kW) @ 3% O <sub>2</sub>	4100 (1200)	3900 (1143)	3900 (1143)
Low Fire kBtu/hr (kW)	275 (81)	250 (73)	300 (88)
High Fire CO (ppm) @ 3% O <sub>2</sub>	< 10	< 10	< 10
Orifice Size (mm)	25.0	19.0	18.0
Air Pressure "w.c. (mbar) @ Maximum Input <i>Air pressure at burner inlet (Tap "A")</i>	15 (37.4)		
Main Gas Pressure "w.c. (mbar)	Maximum	138.5 (345.0)	
	Minimum	24 (59.8)	
	Recommended	27 (67.3)	
Weight - less actuator lbs (kg)	164 (74)		
Blower Type	15" Packaged		
Gas Piping	NPT or BSP		
Flame Detection	UV Scanner		
Approvals			

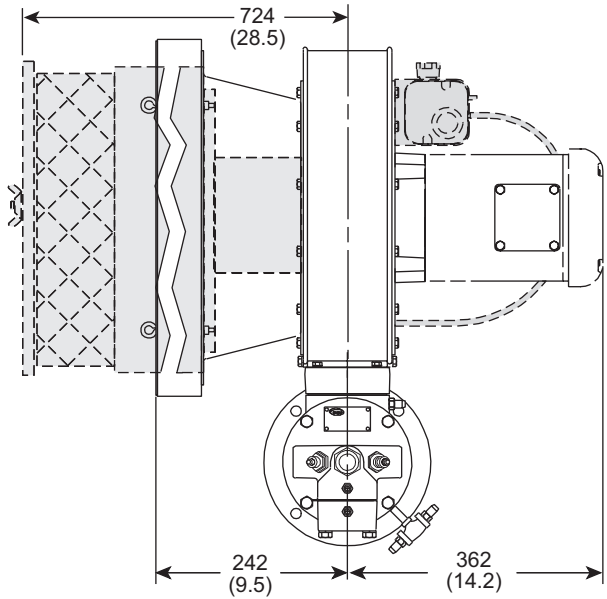
- All information is based on laboratory testing with a 12" diameter tube effective length of 50 feet. Different tube sizes and conditions (including back pressure) may affect the data.
- All information is based on standard tube design. Changes in the tube will alter performance and pressures.
- All inputs based upon gross calorific values.
- Plumbing of air and gas will affect accuracy of orifice readings. All information is based on generally acceptable air and gas piping practices.
- For 65% to 80% efficiency at high fire, tube length should be 35 to 82 feet long.
- Eclipse reserves the right to change the construction and/or configuration of our products at any time without being obliged to adjust earlier supplies accordingly.

# Performance Curves

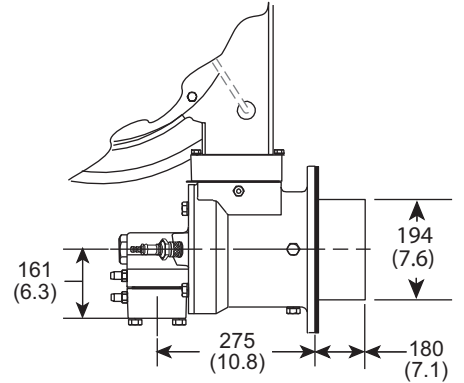
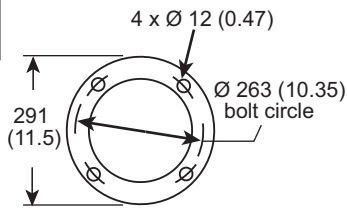
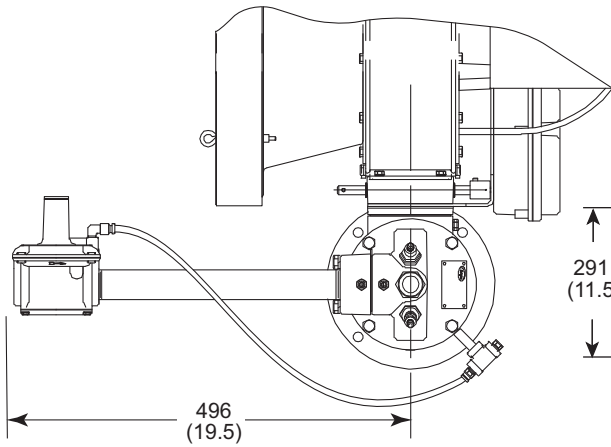
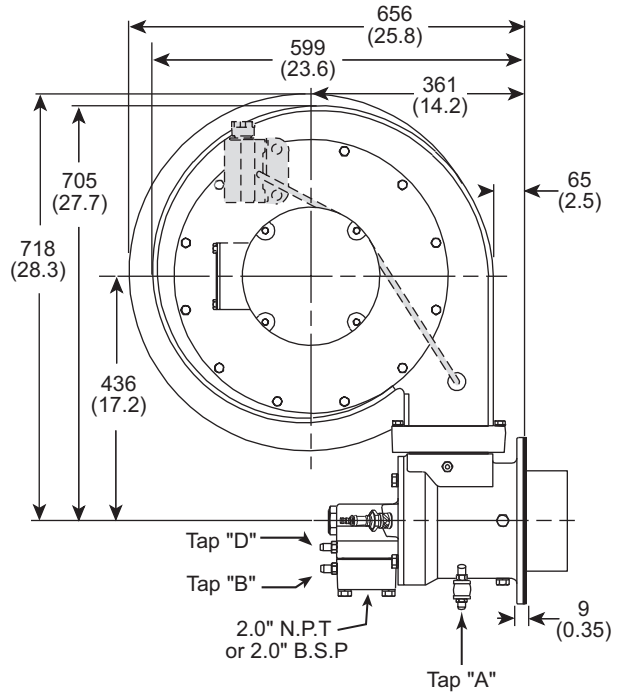


# Dimensions & Specifications

## Dimensions in mm (inches)



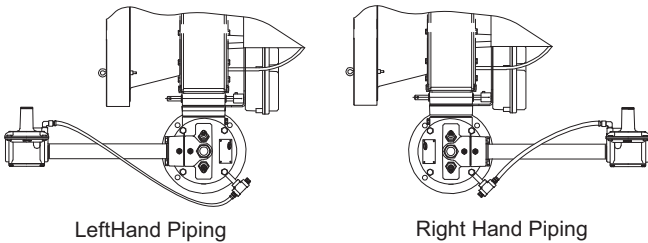
Optional Filter/Silencer and Pressure Switch shown in gray.



Upright

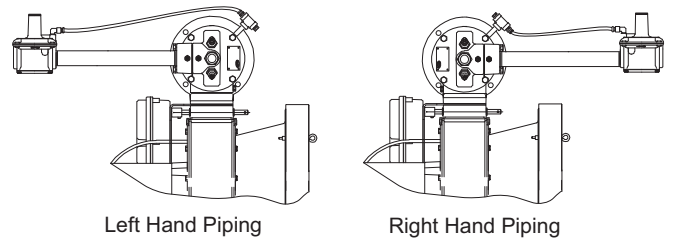
Orientation

Inverted



Left Hand Piping

Right Hand Piping



Left Hand Piping

Right Hand Piping

