


ImmersoJet

Burners

Model IJ-3

Version 2

| Parameter | Blower Size | | |
|----------------------------------------------------------------------------------------------|---------------------------------------------------------------------------------------|----------------------------------|------------------------------|
| Blower Type | Low Pressure Packaged Blower | High Pressure Packaged Blower | Remote Blower |
| Maximum Input Btu/h (kW) | 440,000 (129) | 550,000 (161) | 850,000 (249) |
| Minimum Input Btu/h (kW) | 28,000 (8.2) | 28,000 (8.2) | 28,000 (8.2) |
| Air Inlet Pressure "w.c. (mbar) @ Max Input Air pressure at burner inlet (Tap "A") | 7.7 (19.1) | 11.5 (28.6) | 26.0 (64.7) |
| Blower Motor Hp (kW) | 0.33 (0.3) | 0.5 (0.4) | As Specified |
| Main Gas Pressure Supplied to Regulator "w.c. (mbar) | 14.0 - 27.7 (34.9 - 68.9) | 14.0 - 27.7 (34.8 - 68.9) | 27.0 - 27.7 (67.2 - 68.9) |
| Backpressure "w.c. (mbar) | 1.6 (3.9) | 2.6 (6.4) | 6.1 (15.1) |
| Weight lbs (kg) | 95 (43) | 100 (45) | 60 (27) |
| CO Emissions (ppm) | <100 | <100 | <100 |
| Piping | NPT or BSP | | |
| Flame Detection | Flamerod or UV Scanner | | |
| Fuel <i>For any other mixed gas, contact Eclipse.</i> | Natural Gas, Propane, Butane ^{1, 2} | | |
| Approvals |  | | |

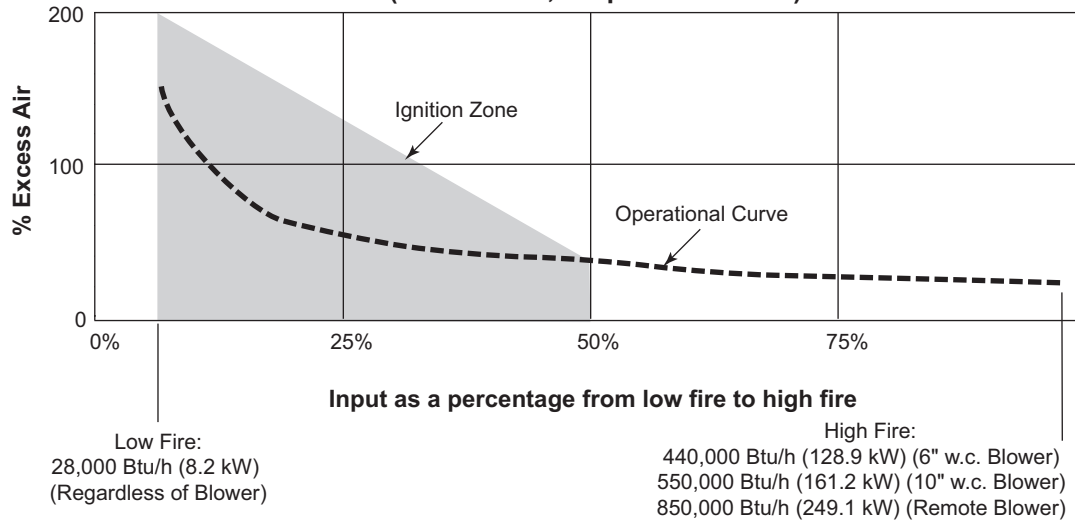
¹ Different fuels require different nozzles and orifices.

² See Design Guide 110 for more information about typical fuel composition and properties.

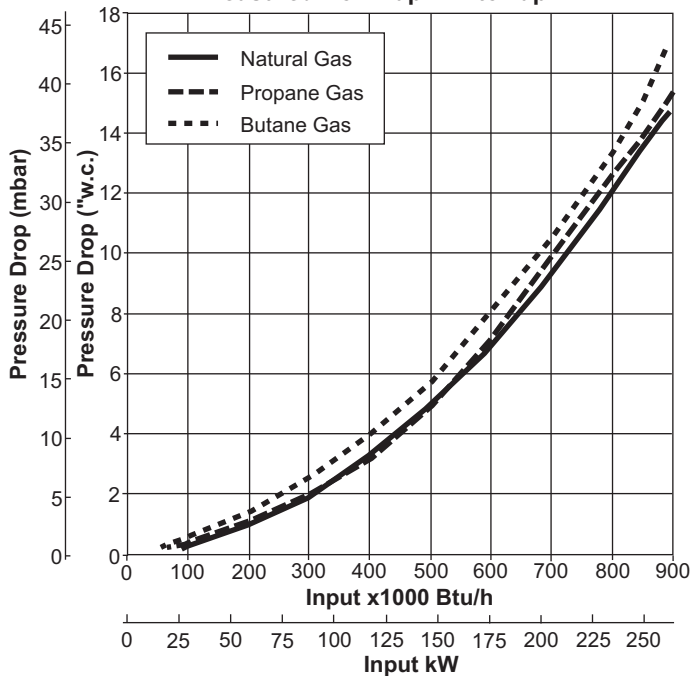
- All information is based on laboratory testing with a tube effective length of 21.6 feet (6.58 m). Different tube sizes and conditions may affect the data.
- All information is based on standard tube design. Changes in the tube will alter performance and pressures.
- All inputs based upon gross calorific values (HHV).
- Eclipse reserves the right to change the construction and/or configuration of our products at any time without being obliged to adjust earlier supplies accordingly.
- Plumbing of air and gas will affect accuracy of orifice readings. All information is based on generally acceptable air and gas piping practices.
- Packaged blower performance data based on 60 Hz.

Performance Graphs

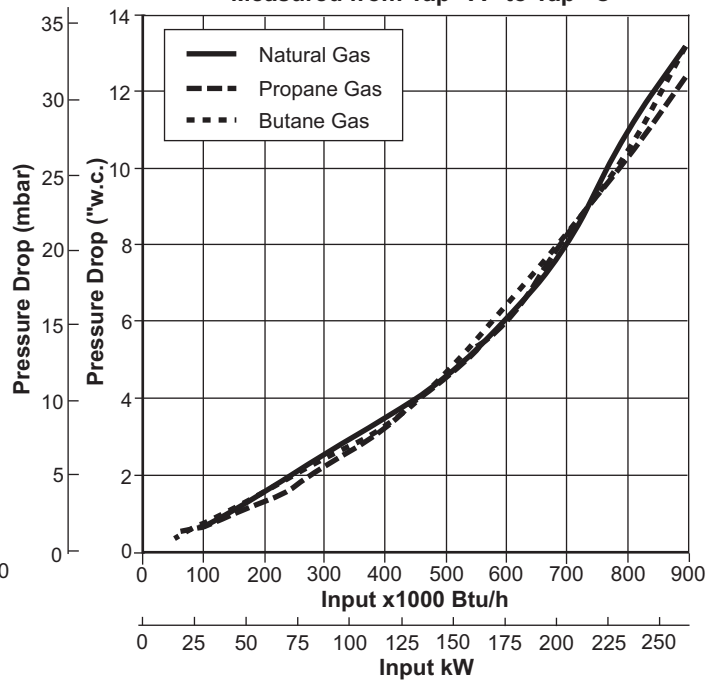
Typical Operational Curve & Ignition Zone (Natural Gas, Propane & Butane)



Gas Orifice Δp vs. Input Measured from Tap "B" to Tap "D"

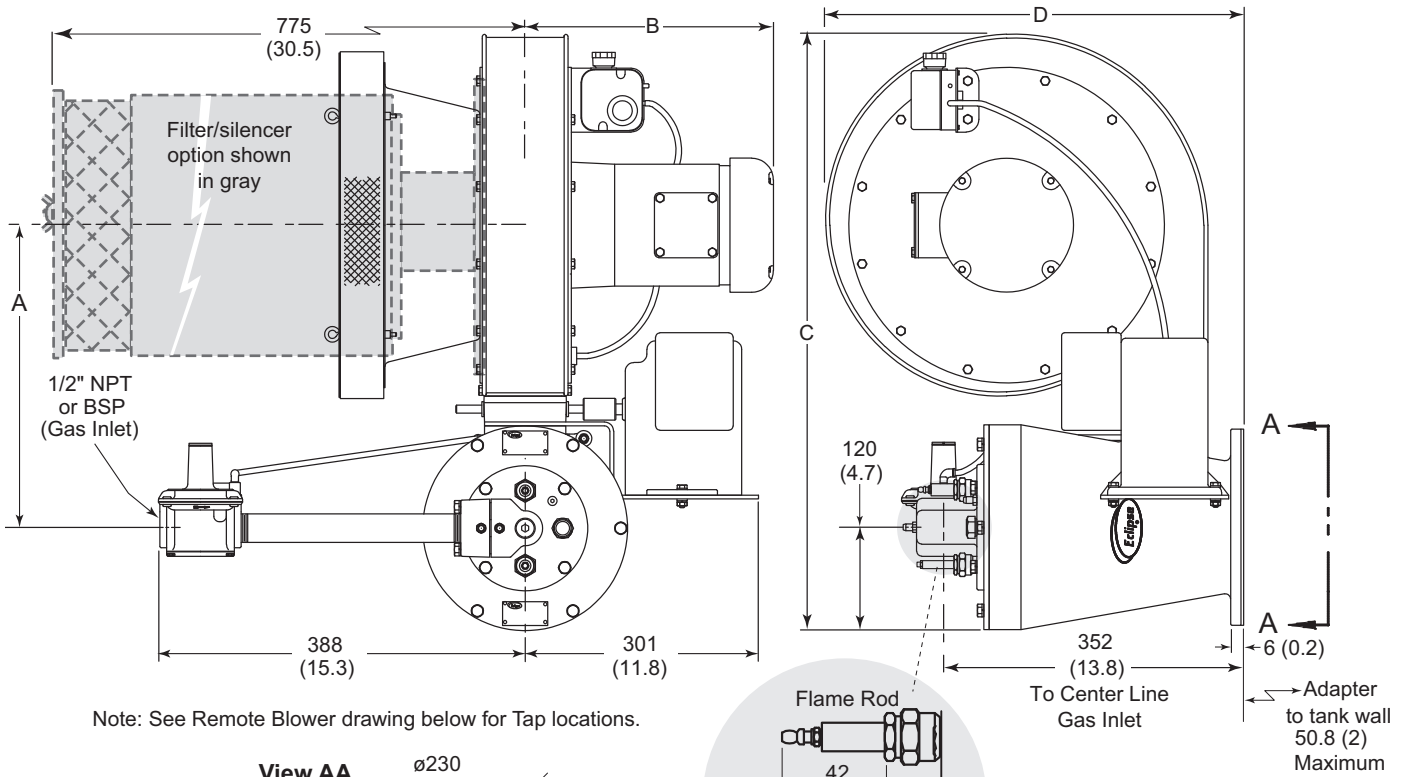


Air Orifice Δp vs. Input @ 3% O₂ Measured from Tap "A" to Tap "C"

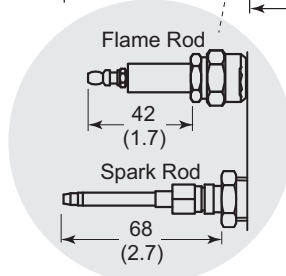
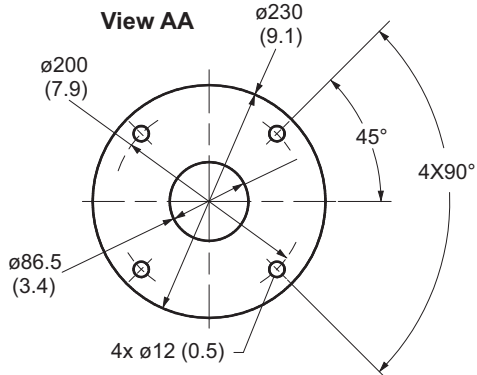


Dimensions & Specifications

Dimensions in mm (inches)

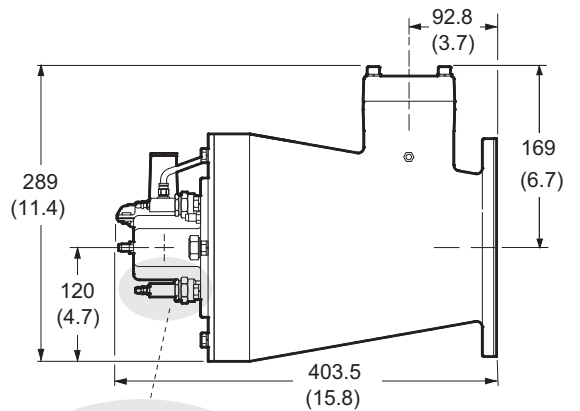
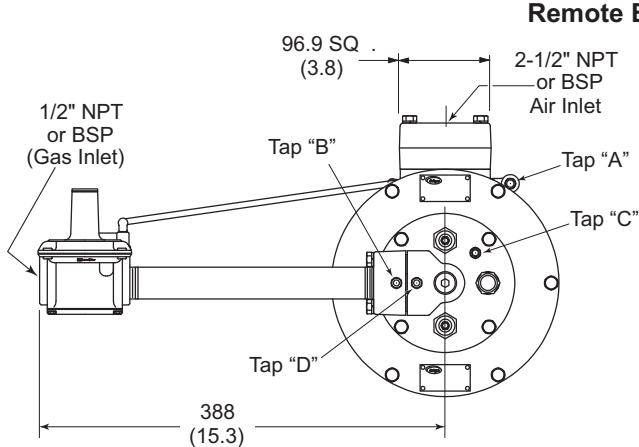


Note: See Remote Blower drawing below for Tap locations.



| | A | B | | C | D |
|----------------------|------------|------------|------------|------------|------------|
| | | 60Hz | 50 Hz | | |
| Low Pressure Blower | 324 (12.7) | 291 (11.4) | 234 (9.2) | 638 (25.1) | 430 (16.9) |
| High Pressure Blower | 353 (13.9) | 291 (11.4) | 255 (10.0) | 698 (27.5) | 490 (19.3) |

Remote Blower



See above drawing for Spark and Flame Rod dimension details.

