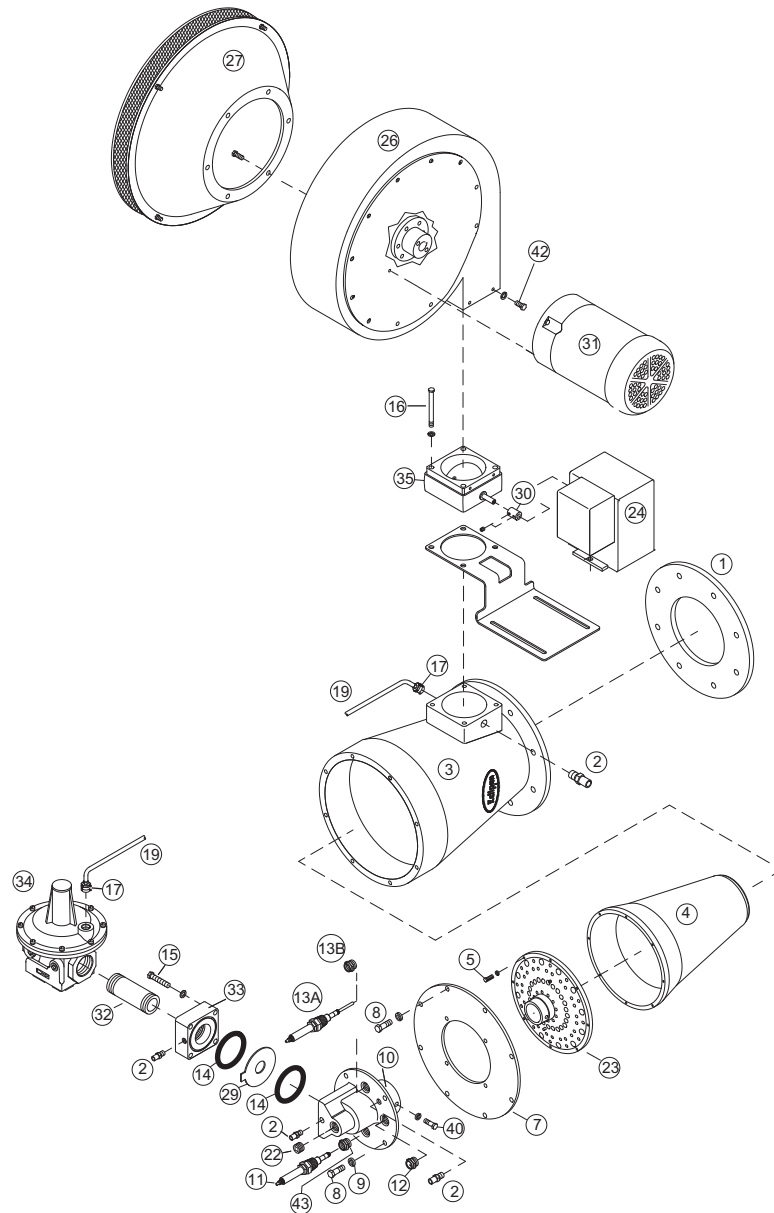


# Eclipse ImmersoJet Burner

Spare Parts List 330
10/12/2012

Version 2.5



Ref. No.	Qty.	Description	IJ-2	IJ-3	IJ-4	IJ-6	IJ-8
		ImmersoJet packaged with blower	200782	200792	200787	101227	10001637
1	1	Gasket, mounting	20256	20265	20258	20337	20337
2	4	PF plug test, 1/8" NPT	13445	13445	13445	13445	13445
4	1	Chamber combustion	7105-1	7112-1	7109-1	7120-1	7120-1
5	*	Screw, M4 x 16	4 x 20241	6 x 20241	8 x 20241	9 x 20242 (M6)	9 x 20242 (M6)

(Continued on next page)

Ref. No.	Qty.	Description	IJ-2	IJ-3	IJ-4	IJ-6	IJ-8
7	1	Plate, adapter, RC	20104	20266	19988	20320	20320
8	*	Screw, M8 x 22	4 x 15886	10 x 15886	12 x 15886	12 x 15886	12 x 15886
10	1	Cover, rear	7103-1	7107-1	7013-1	7013-1	7013-1
11**	1	Spark rod, 1/2" NPT	150000-44	150000-44	150000-41	150000-41	150000-41
12	1	Peepsight	11737	11737	11737	11737	11737
13A	1	Flamerod, 1/2" NPT	20212	20212	20212	20212	20212
13B	1	UV scanner adapter	10033	10033	10033	10033	10033
14	2	Seal, O-ring, Viton	14777	17037	14778	14778	14778
15	4	Screw, hex head, M8 x 45, gas inlet block	15893	15893	15893	15893	15893
16	*	Screw, socket head, M8 x 50 (BV only)	4 x 20246	4 x 20270	4 x 16015	2 x 20257	2 x 20257
17	2	Fitting, tube, Prestolok	14689	14689	14689	14689	14689
19	1	Tube, nylon	34505	34505	34505	34505	34505
22	1	Plug, 3/4" NPT	18880	18880	18883	18883	18883
23	1	Nozzle, machined, Natural Gas	7104-6	7114-11	7042-9	7119-7	7119-7
23	1	Nozzle, machined, Propane/Butane	7104-5	7114-12	7042-10	7119-7	7119-7
27	1	Filter	200758	200757	200757	200756	200756
27	1	Grille	15014	10515	10515	10515	10515
27	1	Filter/silencer	15405	20505	20505	15407	15407
29	1	Plate, orifice, Natural Gas	14191-22	14934-4	14188-21	14188-1	14188-3 Remote 14188-1 Packaged
29	1	Plate, orifice, Propane	14191-14	14934-13	14188-7	14188-6	14188-33 Remote 14188-6 Packaged
29	1	Plate, orifice, Butane	14191-3	14934-12	14188-14	14188-4	14188-9 Remote 14188-21 Packaged
34	1	Regulator, ratio, NPT	10056169	10056169	20312	10056176	10315 Remote 10056176 Packaged
34	1	Regulator, ratio, BSP	10056170	10056170	20311	10056177	19990 Remote 10056177 Packaged
40	1	Screw, hexhead, M4 x 12	20394	20394	20242 (M6)	20242 (M6)	20242 (M6)
42	4	Screw, buttonhead, M6 x 12	15881	15881	15881	15891 (hex)	15891 (hex)
N/S	1	Actuator mounting kit - Honeywell	100256	100260	100264	100268	100268
N/S	1	Actuator mounting kit - Eclipse	100257	100261	100265	100269	100269
N/S	1	Actuator mounting kit - Eclipse Rotary with blower	100317	100317	100317	100317	100317
N/S	1	Actuator mounting kit - Eclipse Rotary less blower	100318	100320	100322	100324	100324
N/S	1	Screw, M6 x 12	15894	15894	15894	15894	15894
N/S	1	Plug	20605	20605	20605	20605	20605

\* Quantity varies with product configuration