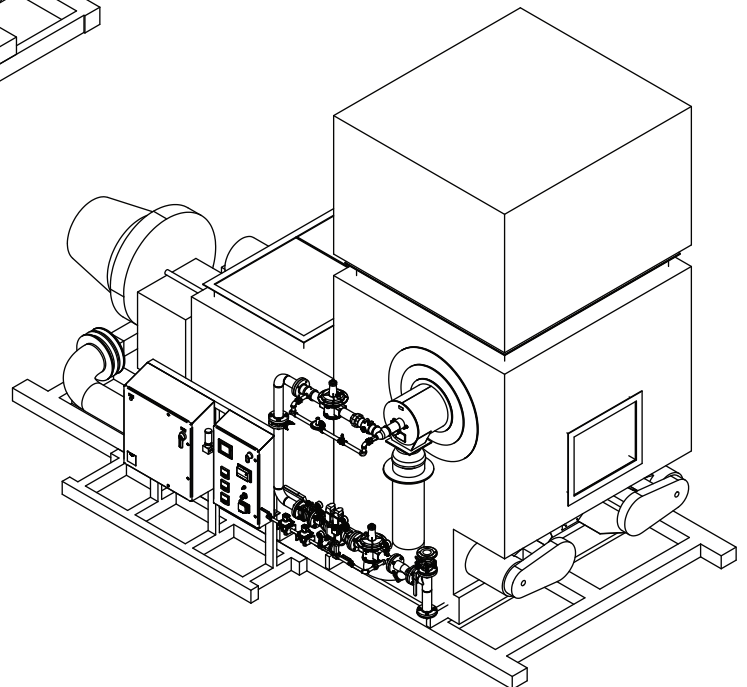
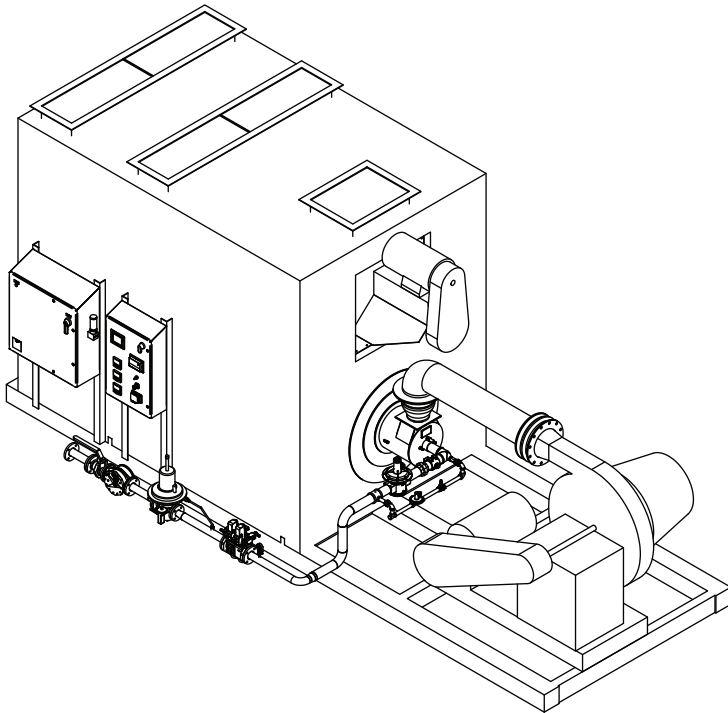


# *Eclipse ER Indirect Air Heater*

*Technical Information Edition 1.15*

*Version 1*



## Copyright

Copyright 2010 by Eclipse, inc. All rights reserved worldwide. This publication is protected by federal regulation and shall not be copied, distributed, transmitted, transcribed or translated into any human or computer language, in any form or by any means, to any third parties, without the express written consent of Eclipse, inc.

## Disclaimer Notice

In accordance with the manufacturer's policy of continual product improvement, the product presented in this brochure is subject to change without notice or obligation.

The material in this manual is believed adequate for the intended use of the product. If the product is used for purposes other than those specified herein, confirmation of validity and suitability must be obtained. Eclipse warrants that the product itself does not infringe upon any United States patents. No further warranty is expressed or implied.

## Liability & Warranty

We have made every effort to make this manual as accurate and complete as possible. Should you find errors or omissions, please bring them to our attention so that we may correct them. In this way we hope to improve our product documentation for the benefit of our customers. Please send your corrections and comments to our Technical Documentation Specialist.

It must be understood that Eclipse's liability for its product, whether due to breach of warranty, negligence, strict liability, or otherwise is limited to the furnishing of replacement parts and Eclipse will not be liable for any other injury, loss, damage or expenses, whether direct or consequential, including but not limited to loss of use,

income, or damage to material arising in connection with the sale, installation, use of, inability to use, or the repair or replacement of Eclipse's products.

Any operation expressly prohibited in this manual, any adjustment, or assembly procedures not recommended or authorized in these instructions shall void the warranty.

## Document Conventions

There are several special symbols in this document. You must know their meaning and importance.


The explanation of these symbols follows below. Please read it thoroughly.

## How To Get Help

If you need help, contact your local Eclipse representative. You can also contact Eclipse at:

1665 Elmwood Rd.  
 Rockford, Illinois 61103 U.S.A.  
 Phone: 815-877-3031  
 Fax: 815-877-3336  
<http://www.eclipsenet.com>

Please have the information on the product label available when contacting the factory so we may better serve you.

	<a href="http://www.eclipsenet.com">www.eclipsenet.com</a>
Product Name Item # S/N DD MMM YYYY	



This is the safety alert symbol. It is used to alert you to potential personal injurt hazards. Obey all safety messages that follow this symbol to avoid possible injury or death.



Indicates a hazardous situation which, if not avoided, will result in death or serious injury.



Indicates a hazardous situation which, if not avoided, could result in death or serious injury.



Indicates a hazardous situation which, if not avoided, could result in minor or moderate injury.

**NOTICE**

Is used to address practices not related to personal injury.

**NOTE**

Indicates an important part of text. Read thoroughly.



# Table of Contents

<b>1 Introduction</b> .....	<b>4</b>
Product Description .....	4
Audience .....	4
Purpose .....	4
Related Documents .....	4
<b>2 Safety</b> .....	<b>5</b>
Safety Warnings .....	5
Capabilities .....	5
Operator Training .....	5
Replacement Parts .....	5
<b>3 System Design</b> .....	<b>6</b>
Sizing and Selection Procedure .....	6
ER Heater Selection .....	6
<b>Appendix</b> .....	<b>i</b>
<b>Notes</b> .....	<b>ii</b>

# Introduction

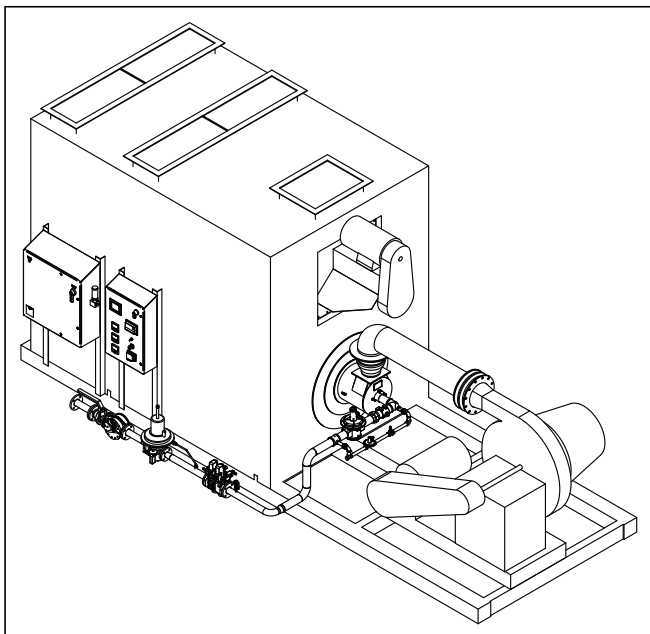
1

## Product Description

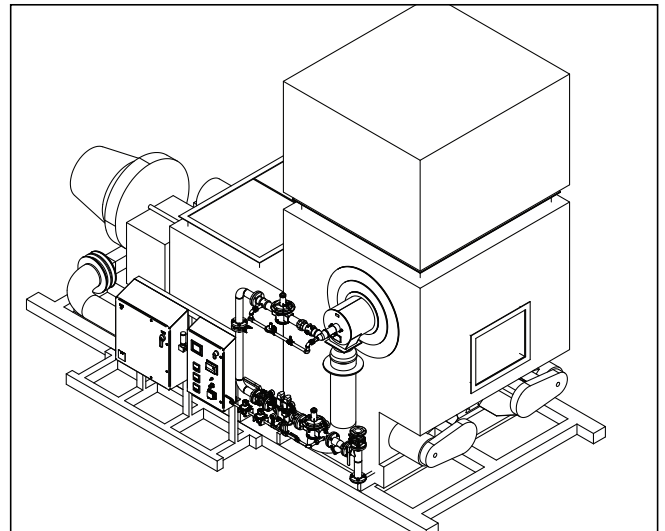
The ER Indirect Air Heater is a heater for producing clean hot air, free of combustion products. The heater utilizes a sinusoidal heat exchanger to transfer heat from the recirculated hot products of the combustion side to the clean process air side. The use of a recirculation fan on the hot products of combustion side improves the effectiveness of the heat exchanger for fuel efficient operation. Gross thermal efficiencies can exceed 85%.

The ER Indirect Air Heater is a complete skid mounted system and includes the heat exchanger, recirculation fan, combustion chamber, burner, combustion air blower, gas train and control panel. Standard construction includes NEMA 4 environmental rating, a NFPA 86 or EN 746-2 compliant gas train and burner safety system, and a NEMA 68 compliant ventilation system.

Flanged connections are provided for the fuel gas inlet, the process air inlet, process air outlet and burner exhaust outlet.



**Figure 1.1. ER Indirect Air Heater - Horizontal Flow**



**Figure 1.2. ER Indirect Air Heater - Vertical Flow**

## Audience

This manual has been written for personnel already familiar with all aspects of an indirect air heater and its add-on components.

These aspects include:

- Design / Selection
- Use
- Maintenance
- Safety

The audience is expected to be qualified and have experience with this type of equipment and its working environment.

## Purpose

The purpose of this manual is to ensure a safe, effective, and trouble-free air heater design.

## Related Documents

### **Design Guide No. 121**

- This document

### **Datasheet No. 121**

- Required to complete design and selection

### **Other Documents**

- EFE 825 (Combustion Engineering Guide)
- Eclipse Bulletins and Info Guides: 111, 158, 159

# Safety

## 2

Important notices which help provide safe burner operation will be found in this section. To avoid personal injury and damage to the property or facility, the following warnings must be observed. All involved personnel should read this entire manual carefully before attempting to start or operate this system. If any part of the information in this manual is not understood, contact Eclipse before continuing.

### Safety Warnings



#### **DANGER**

- **The burners, described herein, are designed to mix fuel with air and burn the resulting mixture. All fuel burning devices are capable of producing fires and explosions if improperly applied, installed, adjusted, controlled or maintained.**
- **Do not bypass any safety feature; fire or explosion could result.**
- **Never try to light a burner if it shows signs of damage or malfunction.**



#### **WARNING**

- **The burner and duct sections are likely to have HOT surfaces. Always wear the appropriate protective equipment when approaching the burner.**
- **Eclipse products are designed to minimize the use of materials that contain crystalline silica. Examples of these chemicals are: respirable crystalline silica from bricks, cement or other masonry products and respirable refractory ceramic fibers from insulating blankets, boards, or gaskets. Despite these efforts, dust created by sanding, sawing, grinding, cutting and other construction activities could release crystalline silica. Crystalline silica is known to cause cancer, and health risks from the exposure to these chemicals vary depending on the frequency and length of exposure to these chemicals. To reduce the risk, limit exposure to these chemicals, work in a well-ventilated area and wear approved personal protective safety equipment for these chemicals.**

#### **NOTICE**

- **This manual provides information regarding the use of these burners for their specific design purpose. Do not deviate from any instructions or application limits described herein without written approval from Eclipse.**

### Capabilities

Only qualified personnel, with sufficient mechanical aptitude and experience with combustion equipment, should adjust, maintain or troubleshoot any mechanical or electrical part of this system. Contact Eclipse for any needed commissioning assistance.

### Operator Training

The best safety precaution is an alert and trained operator. Train new operators thoroughly and have them demonstrate an adequate understanding of the equipment and its operation. A regular retraining schedule should be administered to ensure operators maintain a high degree of proficiency. Contact Eclipse for any needed site-specific training.

### Replacement Parts

Order replacement parts from Eclipse only. All Eclipse approved valves or switches should carry UL, FM, CSA, CGA and/or CE approval where applicable.



# System Design

## Sizing and Selection Procedure

The ER Indirect Air Heater is a natural gas fired system which heats a clean process air stream to a specified temperature. The heat from the natural gas combustion products is transferred to the process air stream by a heat exchanger, keeping the process air free of any contamination.

The ER Indirect Air Heater has the following primary options that affect heater size selection:

- There are nine ER Heater standard sizes to choose from.
- There are two different process air configurations available:
  - Horizontal Process Flow (process air in through the top, out the top or end)
  - Vertical Process Flow (process air in through the bottom, out the top)
- Each ER Heater size is available with two different types of heat exchanger:
  - a standard performance exchanger with 1/2" plate spacing.
  - a high performance exchanger with 3/8" plate spacing. The 3/8" plate spacing version will provide more effective heat transfer, has lower fuel requirements, will result in higher process air pressure drop, and might result in a smaller heater size as compared to the standard 1/2" exchanger.
- Each ER Heater size is available with two different size burners to economically cover the full range of each ER Heater size. Burner sizes are selected from "Table 1. Burner Options" shown in the datasheet.
  - Large
  - Small
- Each ER Heater is available with three different burner types.
  - The Winnox burner product line is good for emission levels down to about 30 ppm NO<sub>x</sub> (@ 3% O<sub>2</sub>) at rated capacity. If emissions requirements are below 30 ppm NO<sub>x</sub> (@ 3% O<sub>2</sub>), the Linnox or Minnox burner is required. Winnox is available with package blower.
  - The Linnox burner product line is good for emission levels down to about 20 ppm NO<sub>x</sub> (@3% O<sub>2</sub>) at rated capacity. If emission requirements are below 20 ppm NO<sub>x</sub> (@3% O<sub>2</sub>), the Minnox burner is required. Linnox burners are not available with a package blower.
  - The Minnox burner product line is good for emission levels down to about 10 ppm NO<sub>x</sub> (@3% O<sub>2</sub>) at rated capacity. In addition, an advanced air/fuel ratio control system is recommended for emissions requirements below 10 ppm NO<sub>x</sub> (@ 3% O<sub>2</sub>). Minnox burners are not available with a package blower.

## ER Heater Selection

The procedure below will identify a proper ER Heater size using both 1/2" and 3/8" exchangers.

The performance curves used in the selection process (see Datasheet 121) were made using the following assumptions:

- Fuel is natural gas
- System elevation is at sea level
- Process air enters ER Heater at 70°F (21°C), dry
- Combustion chamber temperature is 900°F (482°C)

**NOTE:** Contact Eclipse if you have special conditions or questions.

## ER Heater Size Selection

1. Note the required process air operating conditions:
  - a. Flow rate
  - b. Inlet and outlet temperatures
  - c. Allowable pressure drop
  - d. Emissions requirements
2. Identify the ER Heater Size using a 1/2" exchanger:
  - a. Identify the operating point on "Process Air Outlet Temperature vs. Process Air Flow Rate, 1/2" Exchanger Plate Spacing" chart.
  - b. Select the ER Heater size by drawing a line straight up from the operating point. The first temperature curve to be crossed identifies the First Curve heater size. The curves assume a process air inlet temperature of 70°F (21°C). If the actual inlet temperature is different than 70°F (21°C), correct the curve values of process air outlet temperature according to "Process Air Outlet Temperature Correction Factor vs. Point Number" chart.
  - c. Note the pressure drop for the same size heater at the same flow rate on "Process Air Pressure Drop vs. Process Air Flow Rate, 1/2" Exchanger Plate Spacing". Consider the pressure drop correction according to "Process Air  $\Delta P$  Correction Factor vs. Inlet Temp". If the exchanger pressure drop satisfies (is lower than) the requirement, then:
 

**Yes** - select the First Curve heater size.

**No** - go to the next size up (Second Curve) heater. Repeat steps b and c of this section using the Second Curve heater.
  - d. If the Second Curve heater selection has an excessive pressure drop compared to what is required, then the requirement cannot be economically met with the standard ER Heater design. Please consult Eclipse for a custom ER Heater design, or reconsider the pressure drop requirements.
3. Identify the burner for ER Heater using the 1/2" exchanger:
  - a. Refer to "Burner Firing Rate vs. Process Air Flow Rate, 1/2" Exchange Plate Spacing" and locate the operating point using the process air flow rate.
  - b. Note the burner firing rate of the operating point.
  - c. Given the emissions requirements, burner NO<sub>x</sub> specifications from page 6, and burner firing rate, select either the large or small burner from "Table 1. Burner Options" shown in the datasheet.
4. Identify ER Heater Size using 3/8" exchanger:
  - a. Identify the operating point on the "Process Air Outlet Temp vs. Process Air Flow Rate, 3/8" Exchanger Plate Spacing" chart.
  - b. Select the ER Heater size by drawing a line straight up from the operating point. The first temperature curve to be crossed identifies the First Curve heater size. The curves assume a process air inlet temperature of 70°F (21°C). If the actual inlet temperature is different than 70°F (21°C), correct the curve values of process air outlet temperature according to "Process Air Outlet Temperature Correction Factor vs. Point Number" chart.
  - c. Note the pressure drop for the same size heater at the same flow rate on "Process Air Pressure Drop vs. Process Air Flow Rate, 3/8" Exchanger Plate Spacing". Consider the pressure drop correction according to "Process Air  $\Delta p$  Correction Factor vs. Inlet Temperature". If the exchanger pressure drop satisfies (is less than) the requirement, then:
 

**Yes** - select the First Curve heater size.

**No** - go to the next size up (Second Curve) heater. Repeat steps b and c of this section using the Second Curve heater.
  - d. If the Second Curve heater selection has an excessive pressure drop compared to what is required, then the requirements cannot be economically met with the standard ER Heater design. Please consult Eclipse for a custom ER Heater design, or reconsider the pressure drop requirement.
5. Identify the burner for ER Heater using the 3/8" exchanger:
  - a. Refer to "Burner Firing Rate vs. Process Air Flow Rate, 3/8" Exchanger Plate Spacing" and locate operating point using the process air flow rate.
  - b. Note the burner firing rate of the operating point.
  - c. Given the emissions requirements, burner NO<sub>x</sub> specifications from page 6, and burner firing rate, select either the large or small burner from "Table 1. Burner Options" shown in the datasheet.

We have now selected 2 properly sized ER Heater / burner systems, one for 1/2" and the other for 3/8" heat exchangers. These two systems will have different capital and operating costs. The 1/2" system will likely have lower capital costs but higher operating costs compared to the 3/8" system.



**Example Heater Sizing Calculation:**

An indirect heater is required to warm 12,000 SCFM of air from -20°F to 500°F. Pressure drop is not to exceed 3" water column. Burner emissions are not to exceed 30 ppm NOx at 3% O<sub>2</sub>.

**Calculation Example:**

1. Define Process Air conditions:
  - a. Flow: 12,000 SCFM
  - b. -20°F Inlet Temperature 500°F Desired Outlet Temperature.
  - c. Pressure drop: 3" w.c.
  - d. Emission Requirement: 30 ppm NOx.
2. Determine required heater size:
  - a. Referencing the Process Air Outlet Temperature vs. Process Air Outlet Flow Rate chart for the 1/2" Plate Spacing Exchanger the size 6 heater is required for inlet temperature of 70°F. Note the position where the flow intersects the size 6 curve, in this case it is midway between positions 2 and 3 on the curve.
  - b. Calculate the actual outlet temperature for -20°F inlet using Process Air Outlet Temperature Correction Factor vs. Point Number chart. Draw a line from midway between 2 and 3 on the horizontal axis up to the 1/2" curve to determine correction factor from the vertical axis. Calculate the actual outlet temperature as follows:
 
$$T_{co\ actual} = T_{co\ curve} + Ft \times (T_{ci\ actual} - 70^{\circ}F)$$

$$T_{co\ actual} = 520^{\circ}F + .53 \times (-20^{\circ}F - 70^{\circ}F)$$

$$T_{co\ actual} = 472^{\circ}F$$
  3. Since the Process Air Temperature did not achieve the target. Either go up to the next size, 1/2" unit (size 7) or investigate the more efficient 3/8" unit. Since the 1/2" size 7 would certainly work, lets investigate a 3/8" unit.
    - a. Referencing the Process Air Outlet Temperature vs. Process Air Outlet Flow Rate chart for the 3/8" Plate Spacing Exchanger the size 6 heater is required for inlet temperature of 70°F. Note the position where the flow intersects the size 6 curve, in this case it is midway between positions 2 and 3 on the curve.

- b. Calculate the actual outlet temperature for -20°F inlet using Process Air Outlet Temperature Correction Factor vs. Point Number chart. Draw a line from midway between 2 and 3 on the horizontal axis up to the 3/8" curve to determine correction factor from the vertical axis. Calculate the actual outlet temperature as follows:
 
$$T_{co\ actual} = T_{co\ curve} + Ft \times (T_{ci\ actual} - 70^{\circ}F)$$

$$T_{co\ actual} = 560^{\circ}F + .48 \times (-20^{\circ}F - 70^{\circ}F)$$

$$T_{co\ actual} = 517^{\circ}F$$

So, the thermal requirements would be satisfied with either a size 6 with the 3/8" exchanger, or a size 7 with the 1/2" exchanger. Since the size 6 would be more economical, determine if the size 6 with 3/8" exchanger can satisfy the pressure drop requirement.

4. Referencing the Process Air Pressure Drop vs. Process Air Outlet Flow Rate chart for the 3/8" Plate Spacing Exchanger the size 6 heater has a pressure drop of 2.6" wc for inlet temperature of 70°F. Using the Process Air p Correction Factor vs. Inlet Temp chart, calculate the actual pressure drop for -20°F inlet.

$$dP_{actual} = F_{dp} \times dP_{curve}$$

$$dP_{actual} = 0.83 \times 2.6" \text{ wc}$$

$$dP_{actual} = 2.16" \text{ wc}$$

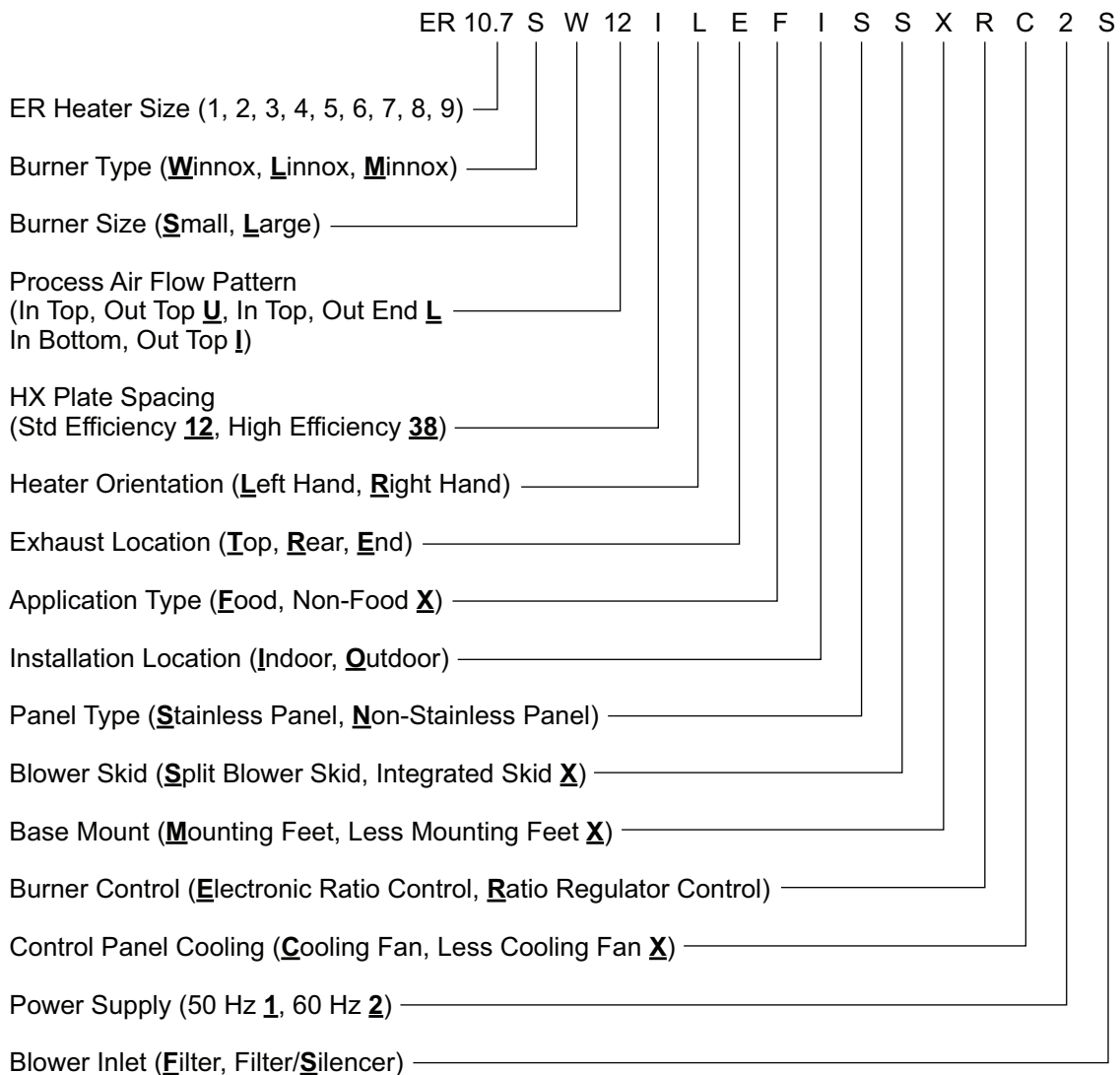
Pressure drop is acceptable.

5. Select the Burner Size:

- a. Referencing the Burner Firing Rate vs. Process Air Outlet Flow Rate chart for the 3/8" Plate Spacing Exchanger, find the burner firing rate for the size 6 heater at 12,000 SCFM. In this case the firing rate is 7.7 mm BTU/hr.
- b. Using Table 1, the smaller burner for size 6 should be chosen to achieve the burner requirement.
- c. Referencing the burner emission information provided on page 6, the Winnox burner would be acceptable for this application.



6. ER Heater Model Numbers are specified as follows:



7. ER Heater Standard Equipment Options

a. Burner Options

- Burner Size (Small, Large)
- Burner Type (Winnox, Linnox, Minnox)
- Burner Control (Ratio Regulator, Electronic Ratio Control)

b. Heat Exchanger Options

- Plate Spacing (1/2", 3/8")
- Flow Pattern:
  - U - process air enters the top and exits the top
  - L - process air enters the top and exits the end
  - I - process air enters the bottom and exits the top

c. Gas Train Options

- Flow Orientation (Left to Right, or Right to Left)
- Make of blocking valves (Siemens standard, others on request)
- Make of combustion air modulating valve actuator (Siemens SQM5 standard, others on request)

d. Transition Options

- Process Air Inlet Transition (Up, Lateral, Longitudinal)
- Process Air Outlet Transition (Up, Lateral, Longitudinal)
- Burner Exhaust Transition (Up, Lateral, Longitudinal)



# Appendix

## Conversion Factors

### Metric to English

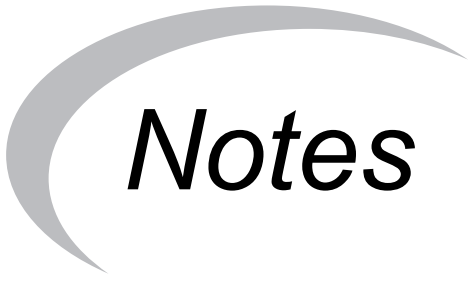
From	To	Multiply By
actual cubic meter/h (am <sup>3</sup> /h)	actual cubic foot/h (acfh)	35.31
normal cubic meter/h (Nm <sup>3</sup> /h)	standard cubic foot /h (scfh)	38.04
degrees Celsius (°C)	degrees Fahrenheit (°F)	(°C x 9/5) + 32
kilogram (kg)	pound (lb)	2.205
kilowatt (kW)	Btu/h	3415
meter (m)	foot (ft)	3.281
millibar (mbar)	inches water column ("w.c.)	0.402
millibar (mbar)	pounds/sq in (psi)	14.5 x 10 <sup>-3</sup>
millimeter (mm)	inch (in)	3.94 x 10 <sup>-2</sup>
MJ/Nm <sup>3</sup>	Btu/ft <sup>3</sup> (standard)	26.86

### Metric to Metric

From	To	Multiply By
kiloPascals (kPa)	millibar (mbar)	10
meter (m)	millimeter (mm)	1000
millibar (mbar)	kiloPascals (kPa)	0.1
millimeter (mm)	meter (m)	0.001

### English to Metric

From	To	Multiply By
actual cubic foot/h (acfh)	actual cubic meter/h (am <sup>3</sup> /h)	2.832 x 10 <sup>-2</sup>
standard cubic foot /h (scfh)	normal cubic meter/h (Nm <sup>3</sup> /h)	2.629 x 10 <sup>-2</sup>
degrees Fahrenheit (°F)	degrees Celsius (°C)	(°F - 32) x 5/9
pound (lb)	kilogram (kg)	0.454
Btu/h	kilowatt (kW)	0.293 x 10 <sup>-3</sup>
foot (ft)	meter (m)	0.3048
inches water column ("w.c.)	millibar (mbar)	2.489
pounds/sq in (psi)	millibar (mbar)	68.95
inch (in)	millimeter (mm)	25.4
Btu/ft <sup>3</sup> (standard)	MJ/Nm <sup>3</sup>	37.2 x 10 <sup>-3</sup>



# *Notes*

