

# Safety pressure relief FRSBV

4.15

**DUNGS**<sup>®</sup>  
Combustion Controls



## Technical description

The DUNGS safety pressure relief valve, type FRSBV, is a spring-loaded safety blow-off device (SBV) with an adjustable response pressure.

The safety blow-off valve corresponds to DIN 33821.

- Inlet pressures up to 1.0 bar (100 kPa)
- Large flow rate
- Safety diaphragms
- Internal sensor for response pressure as standard
- Threaded connection Rp 1

## Application

Safety pressure relief valve for gas burners and gas equipment.

Suitable for gases of gas families 1, 2, 3 and other neutral gaseous media.

Free of non-ferrous metals, suitable for gases up to max. 0.1 vol.% H<sub>2</sub>S, dry.

## Approval

EC type testing certificate as per:

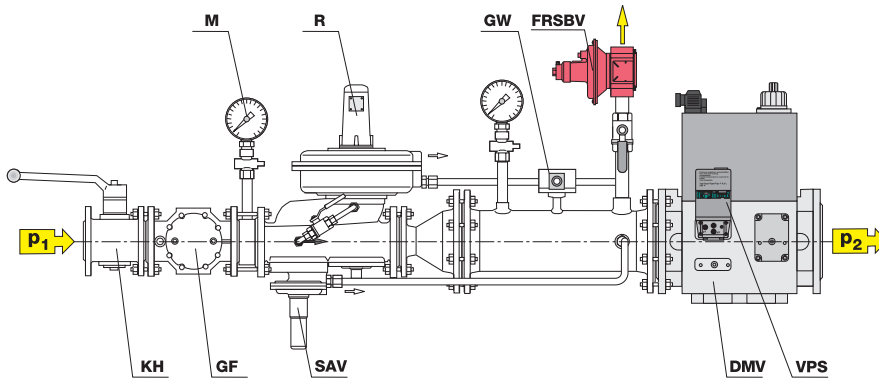
- EC-Gas Appliances Regulation
- Approvals in other important gas consuming countries.

**FRSBV** Spring-loaded safety blow-off device with adjustable reference-value spring, internal tap of response pressure.

## Specifications

Nominal diameters	DN 25
Pipe thread as per ISO 7/1	Rp 1
Max. operating pressure	up to 1.0 bar (100 kPa)
Safety pressure relief valve	Safety blow-off valve as per DIN 33821
Inlet pressure range	up to 1.0 bar (100 kPa)
Setting range, response pressure	70 mbar (7 kPa) up to 830 mbar (83 kPa) depending on the adjustable reference value spring
Materials of gas-conveying parts	Housing: Aluminium, steel Seals and diaphragms: NBR
Ambient temperature	-15 °C to +70 °C
Installation position	Spring mandrel from horizontally lying to vertically standing
Test connections	G 1/4 ISO 228 on both sides in inlet range
Pulse connection	Internally in inlet range
Vent line	Vent line only necessary in special cases since safety diaphragms are installed. Connection: G 1/4 ISO 228

### FRSBV application, example



#### Control line

KH	Ball valve
GF	Gas filter
M	Manometer
R	Gas pressure regulator
SAV	Safety slam-shut valve
GW	Gas pressure switch
FRSBV	Safety pressure relief valve
DMV	Double solenoid valve
VPS	Valve proving system

### Selecting the spring

The response pressure results from the force of the installed setting spring and the weight of the moving parts. The safety blow-off valve is equipped

with a yellow spring as standard. By replacing the reference value spring you can set other response pressures.

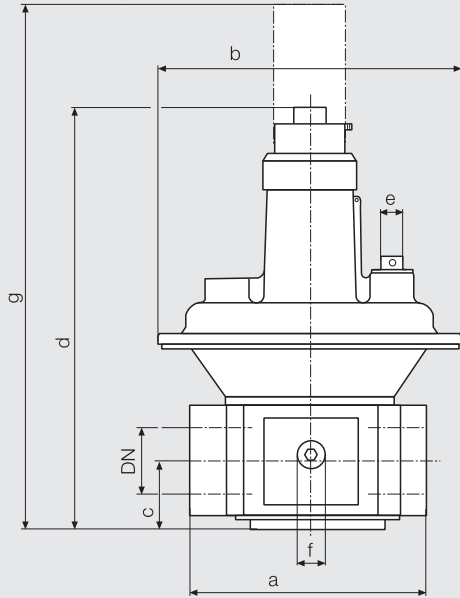
**⚠ Do not route condensate from lines into safety blow-off valve.**

**Protect the safety blow-off valve from contamination by using a proper dirt trap.**

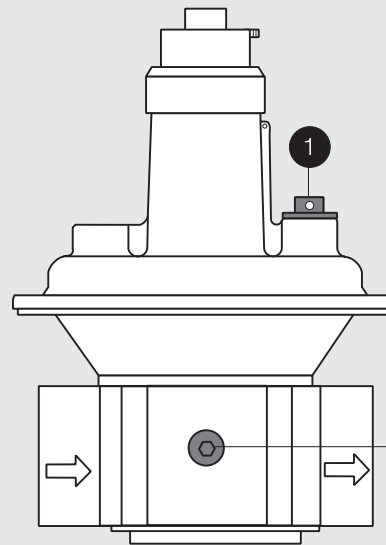
**Do not apply burnable gas or burnable gas air mixtures to the installation space of the setting spring.**

Reference value spring range [mbar]	70 ... 350	300 ... 830
Spring colour	Yellow spring	Grey spring
Order No.	Standard 226 382	226 383

## Dimensions



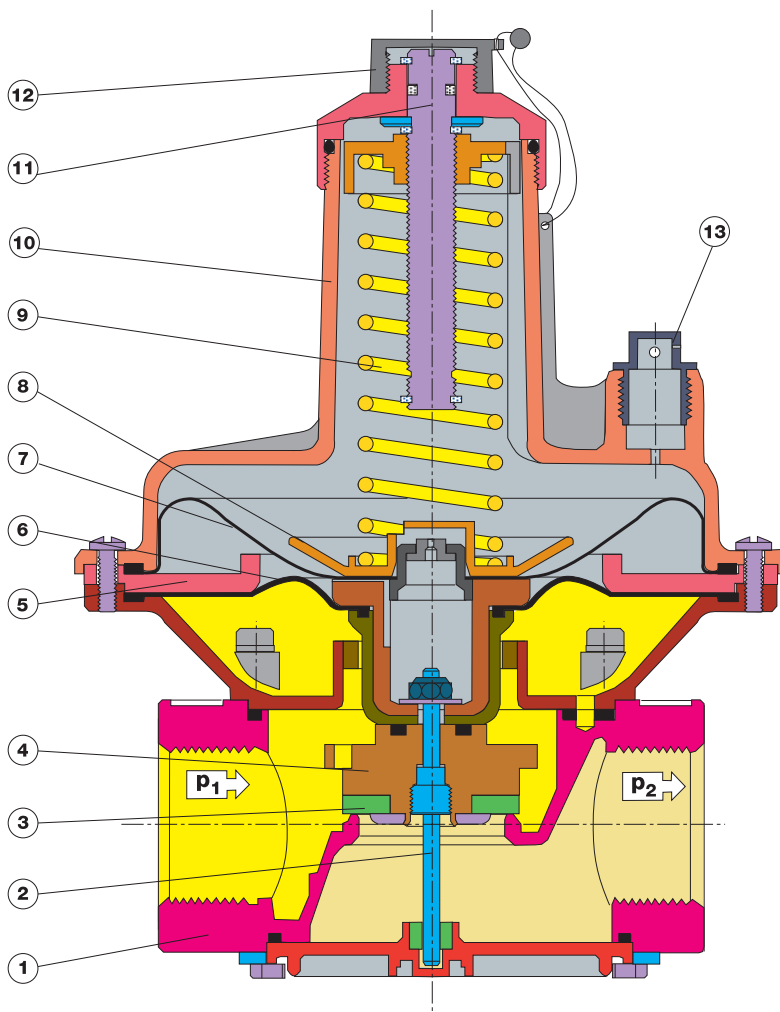
## Pressure taps



1. Vent plug  
G 1/4 ISO 228
2. Sealing plug  
G 1/4 ISO 228  
in inlet range on both  
sides

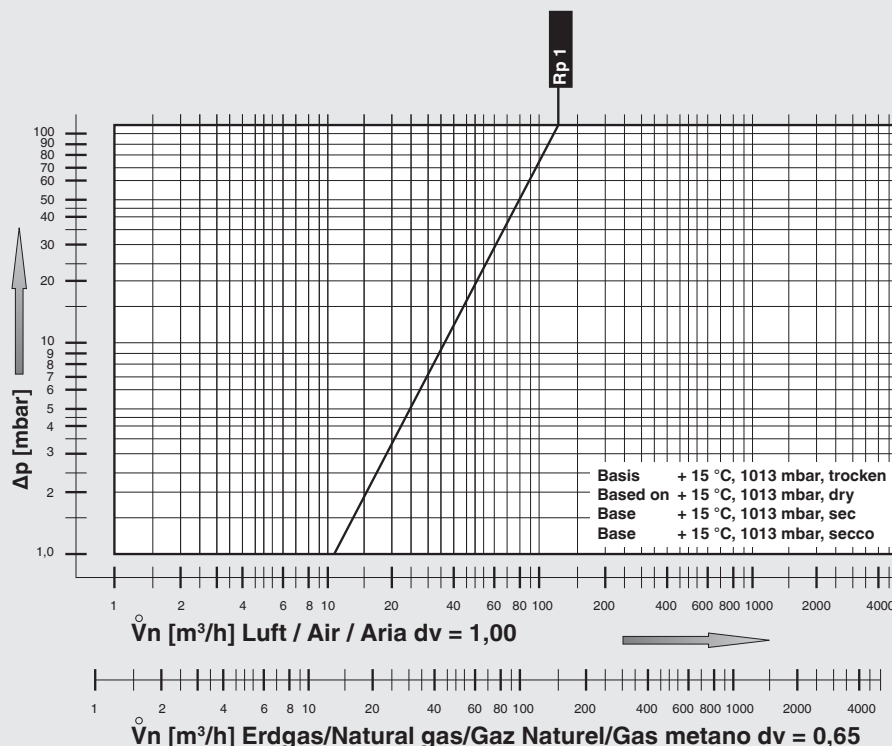
Type	Order No.	P <sub>max.</sub> [bar]	Rp/DN	Dimensions [mm]							Weight [kg]
				a	b	c	d	e	f	g	
FRSBV 1010	226 284	1.0	Rp 1	110	145	33	190	G 1/4	G 1/4	310 1,20	

## Sectional drawing of FRSBV 1010 Safety pressure relief valve in closed position



- 1 Housing
- 2 Spindle
- 3 Sealing ring
- 4 Control disk
- 5 Intermediate disk
- 6 Operating diaphragms
- 7 Safety diaphragms
- 8 Diaphragm disk
- 9 Reference value spring
- 10 Cover
- 11 Adjuster
- 12 Protective cap
- 13 Vent plug

Flow diagram, mechanically open



$$\overset{\circ}{V}_{\text{verwendetes Gas/gas used/ gaz utilisé/gas utilizzato}} = \overset{\circ}{V}_{\text{Luft/air/aria}} \times f$$

$$f = \frac{\text{Dichte Luft / Spec. weight air / poids spécifique de l'air / peso específico aria}}{\text{Dichte des verwendeten Gases / Spec. weight of gas used / poids spécifique du gaz utilisé / peso específico del gas utilizado}}$$

Gasart Type of gas Type de gaz Tipo di gas	Dichte Density Densité Densità [kg/m³]	dv	f
Erdgas/nat. Gas/ Gaz naturel/Gas metano	0.81	0.65	1.24
Stadtgas/City gas/ Gaz de ville/Gas città	0.58	0.47	1.46
Flüssiggas/LPG/ Gaz liquide/Gas liquido	2.08	1.67	0.77
Luft/Air/ Air/Aria	1.24	1.00	1.00

We reserve the right to make any changes in the interest of technical progress.

**Head Offices and Factory**  
Karl Dungs GmbH & Co. KG  
Karl-Dungs-Platz 1  
D-73660 Urbach, Germany  
Telephone +49 7181-804-0  
Fax +49 7181-804-166

**Postal address**  
Karl Dungs GmbH & Co. KG  
Postfach 12 29  
D-73602 Schorndorf, Germany  
e-mail info@dungs.com  
Internet www.dungs.com