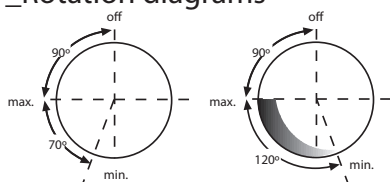




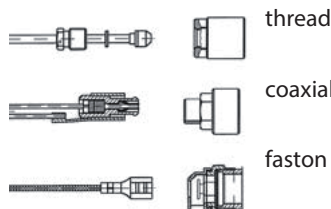
_ Gas Cooking > Safety Gas CAL 20703 series



_ Rotation diagrams



_ Thermocouple connections



_ Construction characteristics

Mechanical body: drop-forged brass and aluminium. Male cone: bar-cut brass and aluminium. Cover: drop-forged steel. Spindle: aluminium (brass optional).

_ Other characteristics

Max. ambient temperature:
- brass up to 150 °C
- aluminium up to 130°C
Max. gas pressure: 65 mbar
Stroke: 3,5 mm Flow: 250 l/h (1mbar pressure drop).

_ Functional characteristics

Max. tightness at test pressure 150 mbar: < 8 cm³/h.
Max. turning torque of the spindle: 0.2 N m
Max. pushing strenght: 20 N

_ Connection characteristics

Inlet types: round 16 mm. diameter ramp. On request and after a study, other types and dimensions.

Outlet types: according to customer specifications.

Spindle dimensions: according to customer specifications.

Distance between clamp holes: 21, 27 and 30 mm. Other types and dimensions on request.

_ Installation characteristics

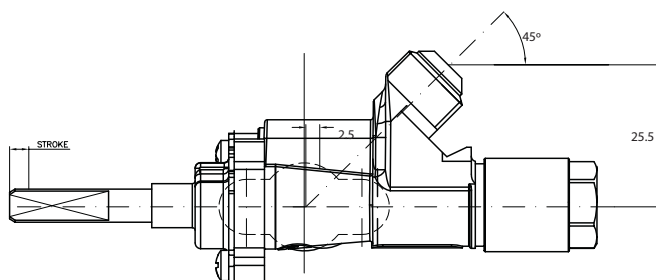
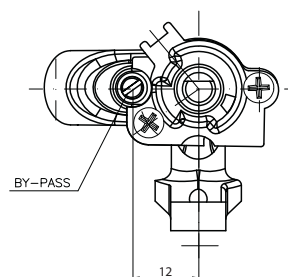
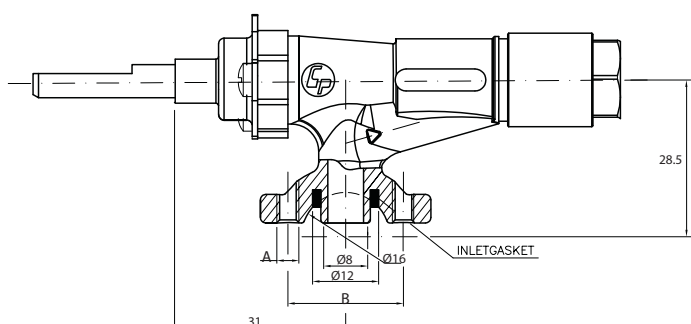
Max. torque for screwing: 3 N m (2 screws) and 2 N m (1 screw).

Max. torque of fitting outlet: 8 N m (biconical), 15 N m (flaring).

Range for tightening torque of injectors: 1.5 - 2.5 N m

Max. tightening torque for fitting thermocouple to record: 4 N m

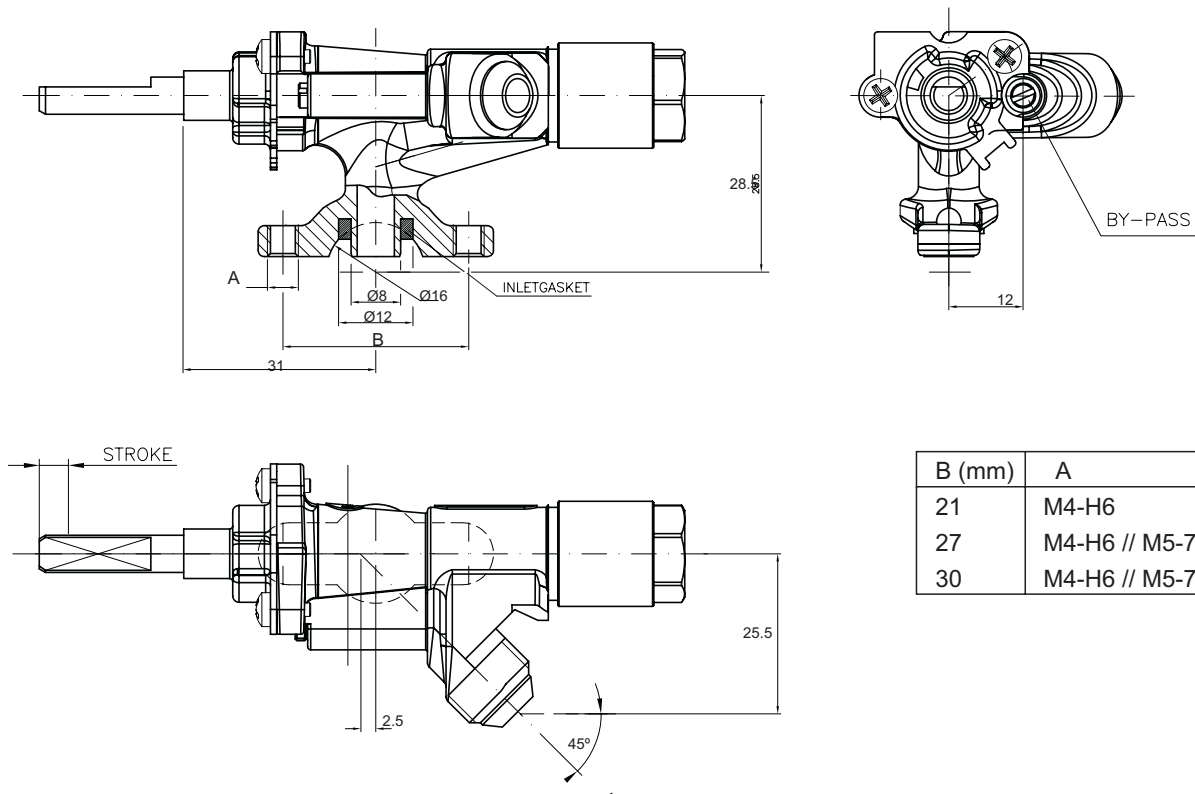
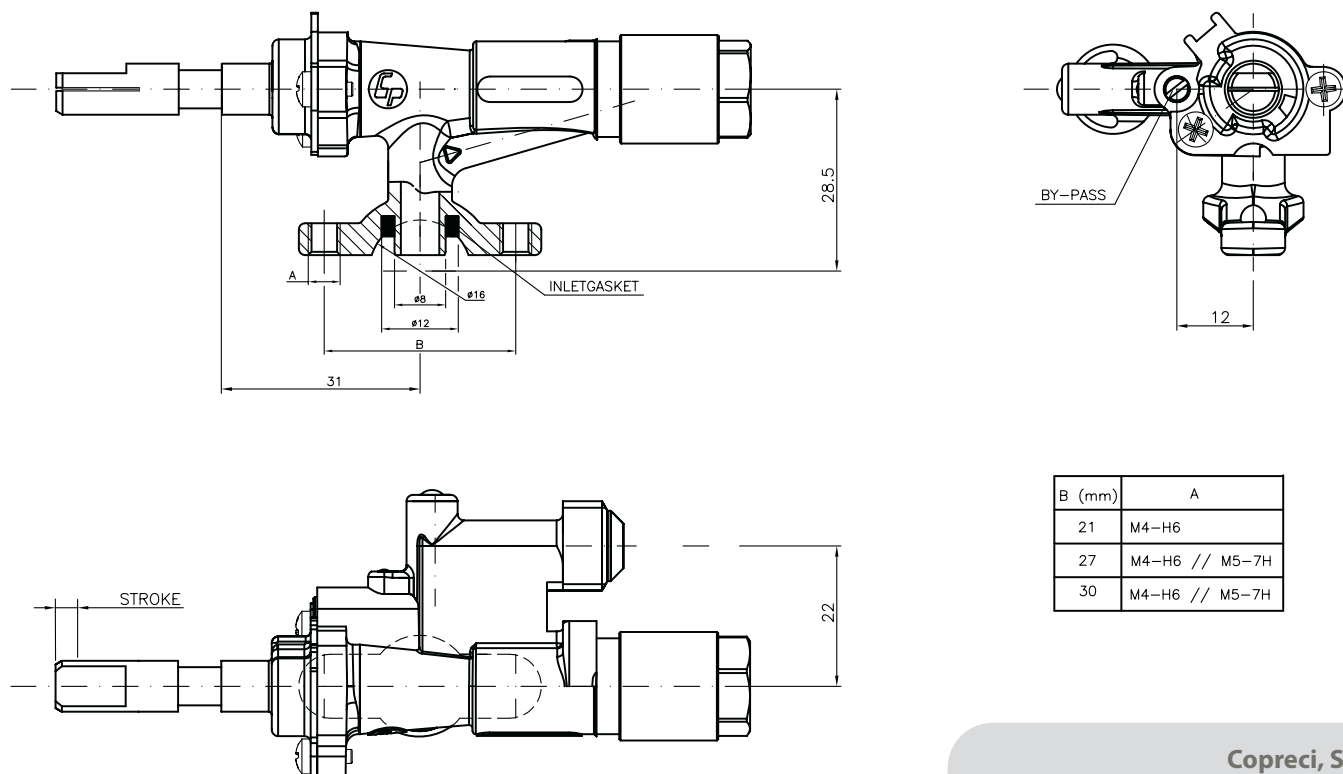
_ Main outside dimensions 45° left outlet



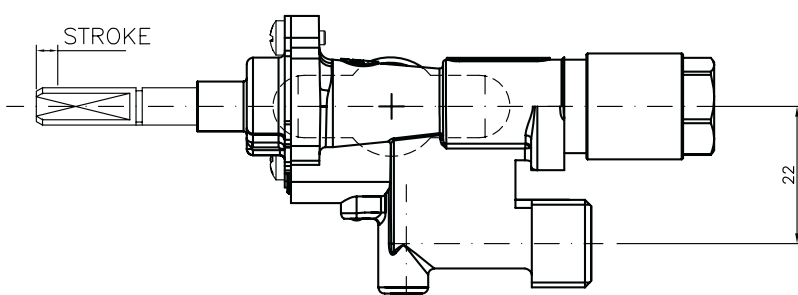
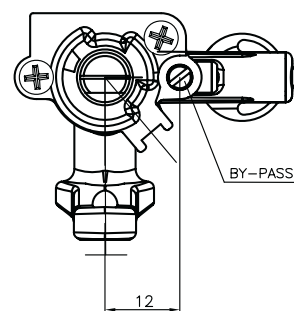
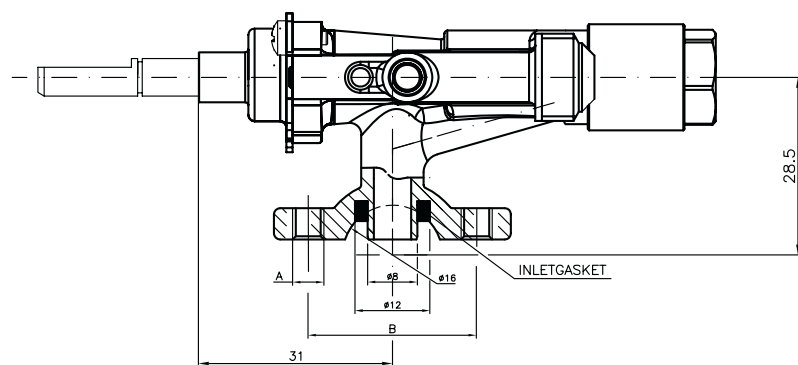
B (mm)	
A	
21	
M4-H6	

* Other versions available upon request.



_Main outside dimensions
45° right outlet

 _Main outside dimensions
left parallel outlet


* Other versions available upon request.

_Main outside dimensions
right parallel outlet


B (mm)	A
21	M4-H6
27	M4-H6 // M5-7H
30	M4-H6 // M5-7H